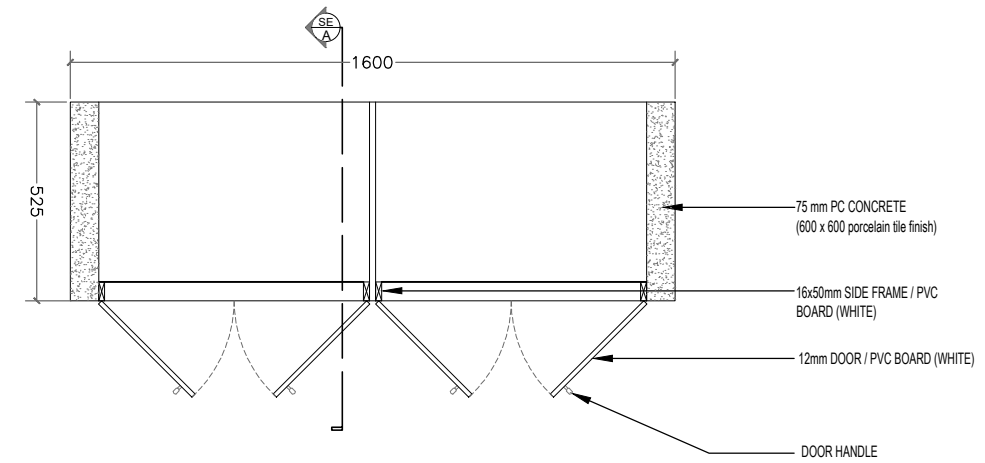
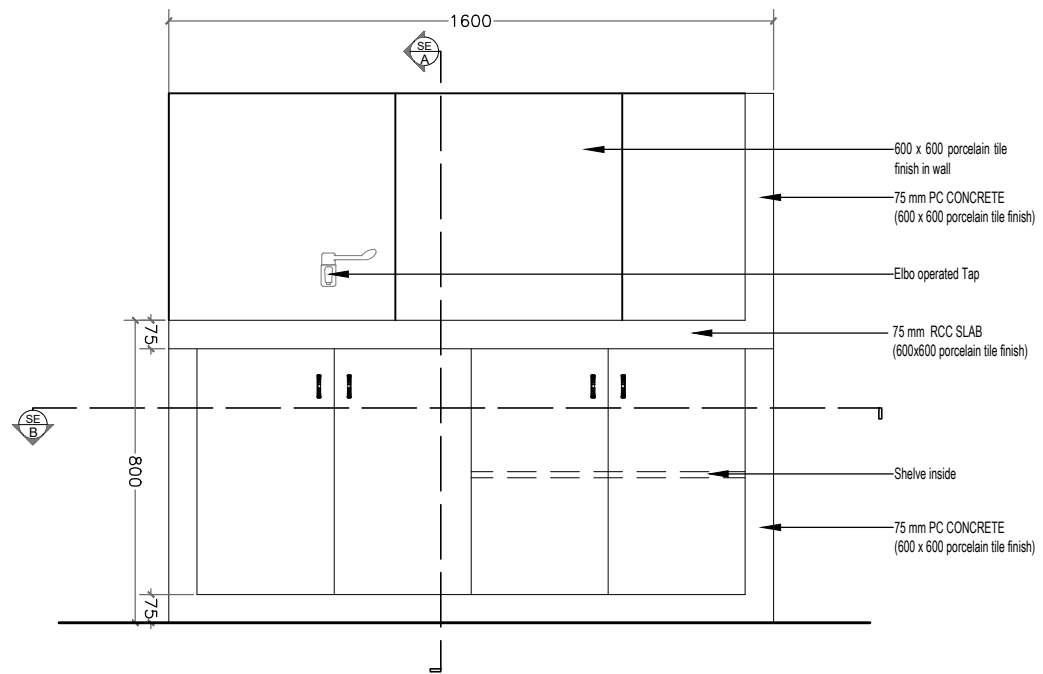


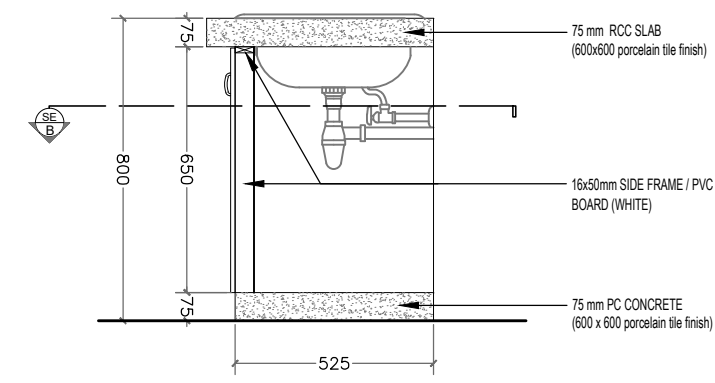
**PLANE VIEW**



**SECTION B**



**FRONT ELEVATION**

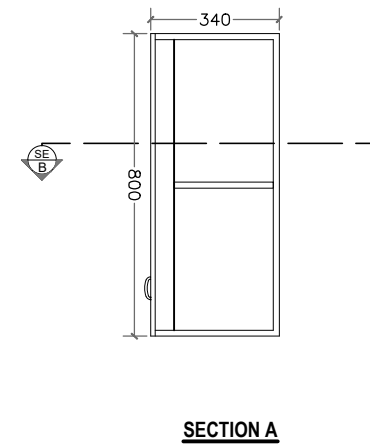
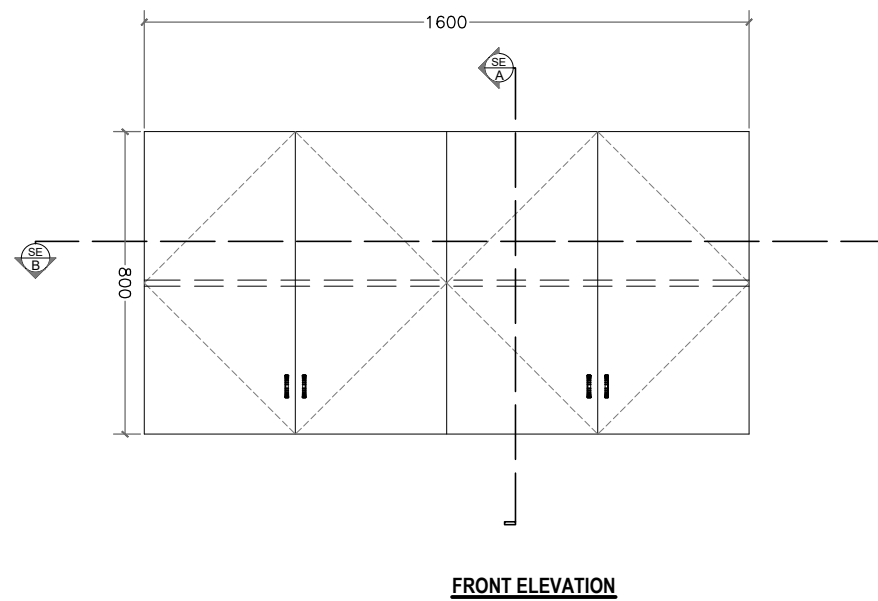
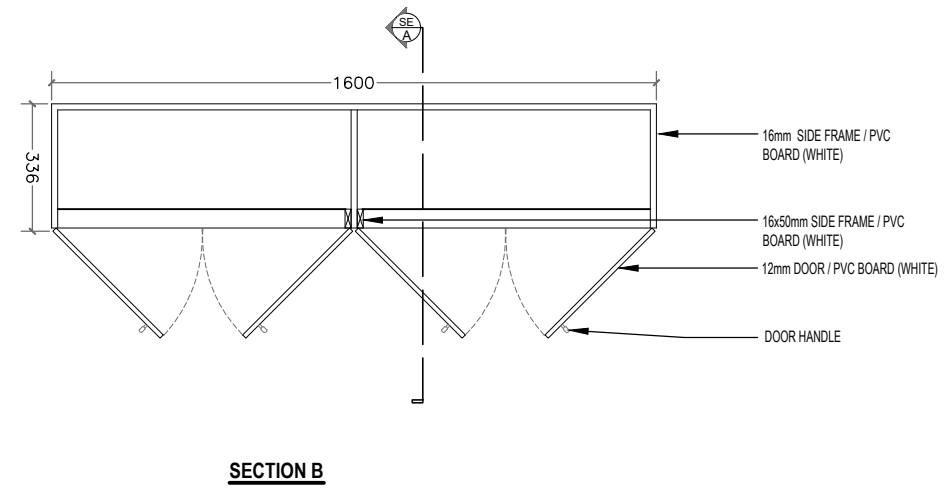
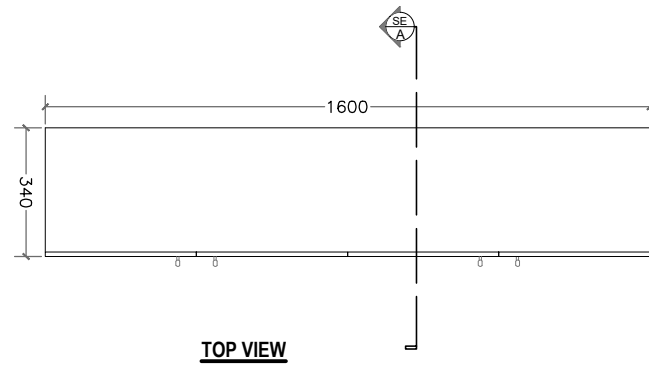


**SECTION A**

**STAFF ROOM SINK CUPBOARD DETAILS**  
SCALE 1:20

PROJECT : <b>PROPOSED CENTRE FOR MENTAL HEALTH (PHASE -2)</b>	Drawn : <i>Nausbad</i>	REVISIONS		REMARKS :	APPROVED :	Projects Management Unit IGM Hospital / Kaibaa Aisarani Hingun Malé 20402 / Republic of Maldives
	Checked :	Revised	15-02-2021			
TITLE: <b>AS MENTIONED</b>	SCALE: AS GIVEN	DATE : 07.01.2021	Location: IGMH / GROUND FLOOR (MENTAL HEALTH)		The contractors must check all dimensions on site prior to the commencement of any work.	





**STAFF ROOM SINK OVERHEAD CUPBOARD DETAILS**  
 SCALE 1:20

PROJECT : PROPOSED CENTRE FOR MENTAL HEALTH (PHASE -2)	Drawn : <i>Nausbad</i>	REVISIONS		REMARKS :	APPROVED :	Projects Management Unit IGM Hospital / Kaibaa Aisarani Hingun Malé 20402 / Republic of Maldives
	Checked :	Revised	15-02-2021			
TITLE: AS MENTIONED	SCALE: AS GIVEN	DATE : 07.01.2021		The contractors must check all dimensions on site prior to the commencement of any work.		
Location: IGMH / GROUND FLOOR (MENTAL HEALTH)						

