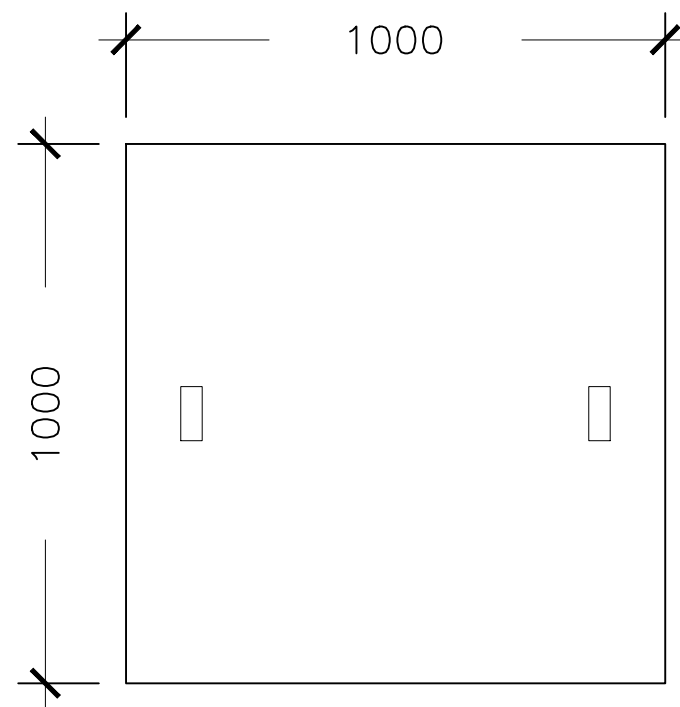
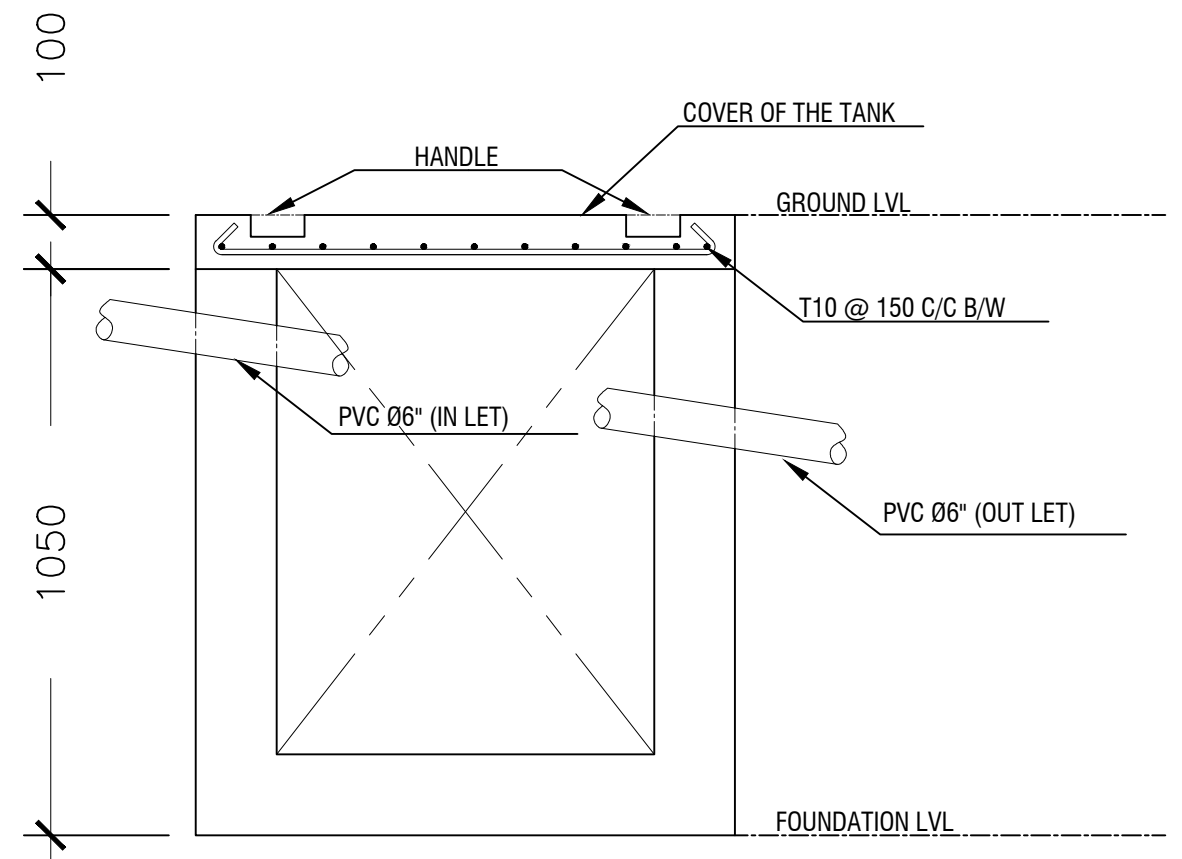


PLAN VIEW



COVER OF THE TANK



SIDE ELEVATION