

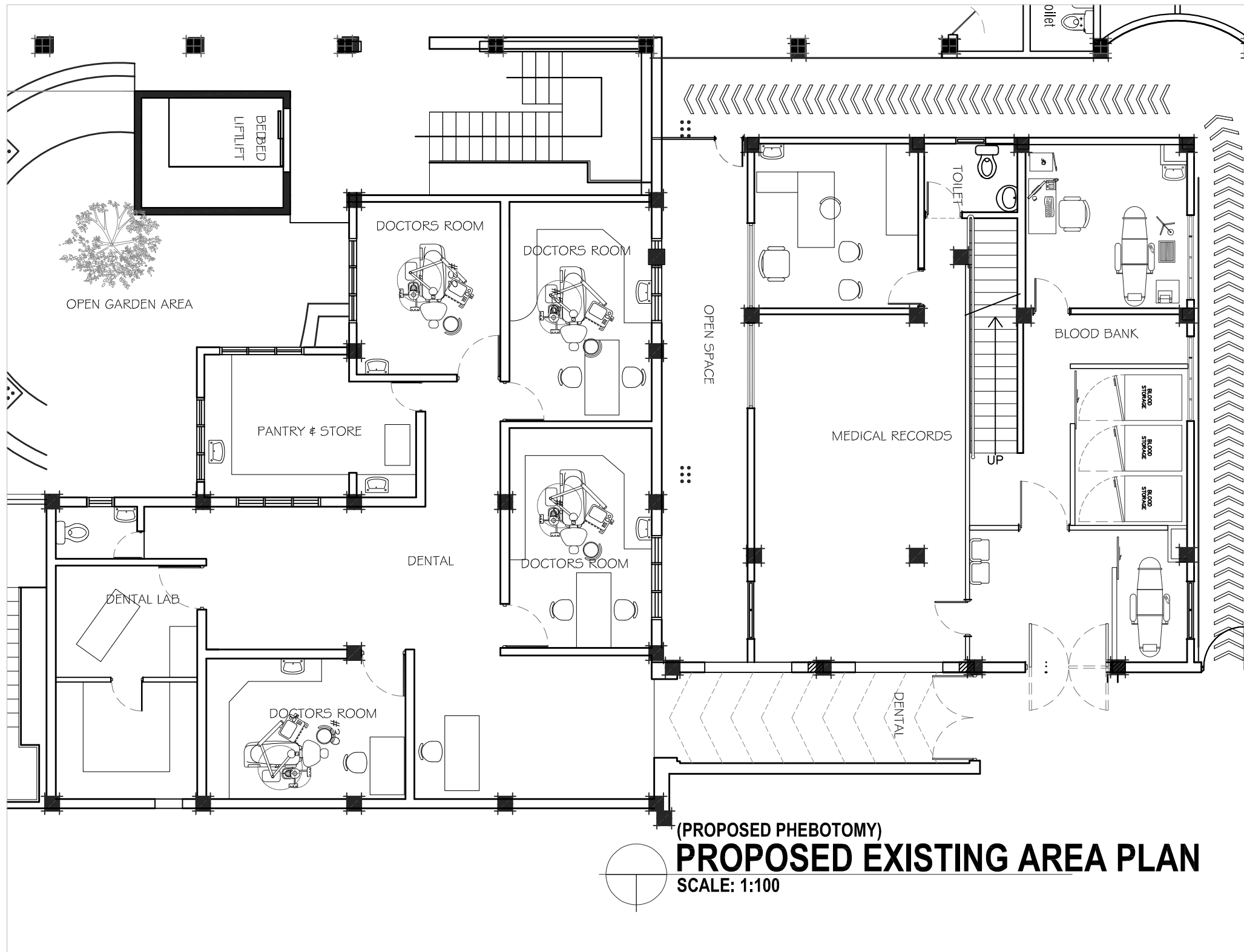
PROJECT

**PROPOSED
PHLEBOTOMY
@ IGMH**

ARCHITECTURAL AND STRUCTURAL DRAWING

10 February 2024





Checked & Approved By:	Name / Signature / Date:	Estate Department:	
CEFO:		IT Department:	
Head of Department:		Plumbing Section:	
Quality Control Department:		Electrical Section:	
Bio Medical Department:		AC Section:	

Project Title: PROPOSED PHLEBOTOMY
Location: GROUND FLOOR (Previous Dental & Blood Bank Area)

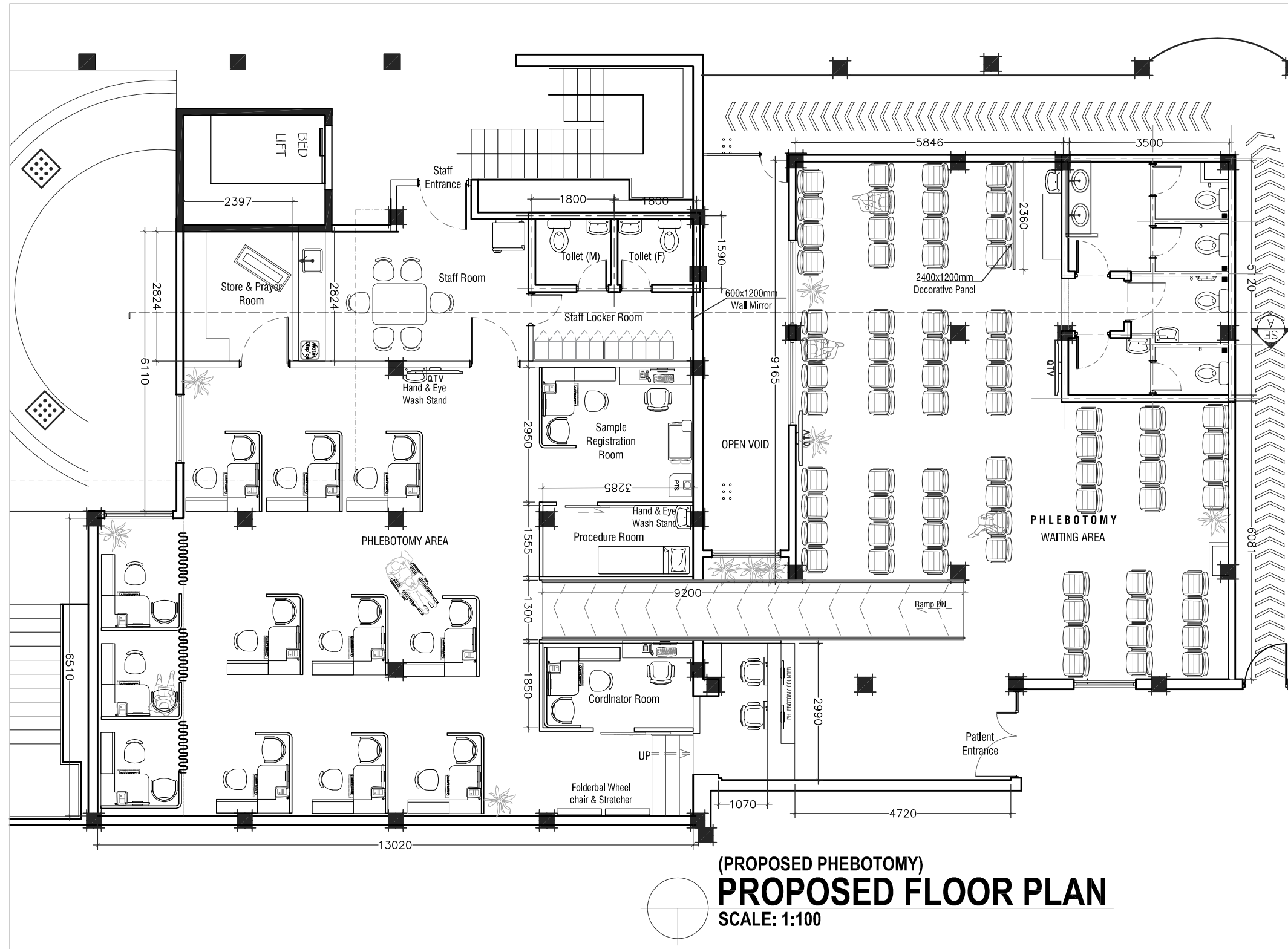
Designed by: <i>M. Naushad</i>	Revisions:
Drafting by: <i>M. Naushad & Husham</i>	10 February 2024
Date: 09 January 2024	
Scale: As Mentioned	
Print on: A3	

Remarks:

Projects Management Unit
 IGM Hospital / Kañbaa Aisarani Hingun
 Malé 20402 / Republic of Maldives

The contractors must check all dimensions on site prior to the commencement of any work.





(PROPOSED PHEBOTOMY)
PROPOSED FLOOR PLAN
 SCALE: 1:100

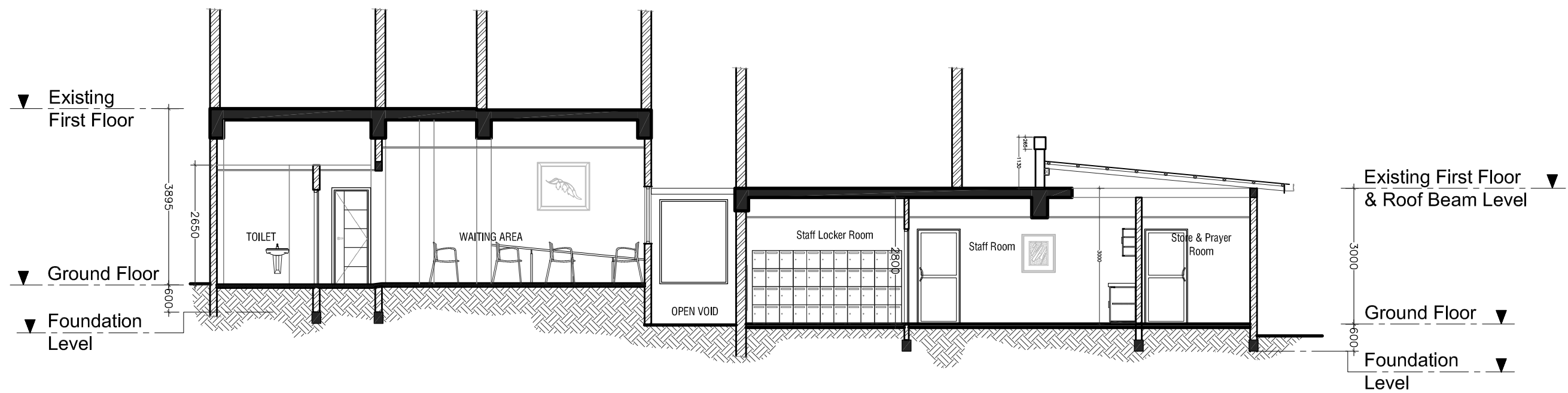
Checked & Approved By:	Name / Signature / Date:	Estate Department:	
CEFO:		IT Department:	
Head of Department:		Plumbing Section:	
Quality Control Department:		Electrical Section:	
Bio Medical Department:		AC Section:	

Project Title: PROPOSED PHLEBOTOMY
Location: GROUND FLOOR (Previous Dental & Blood Bank Area)

Designed by: M. Naushad	Revisions:	Remarks:
Drafting by: M. Naushad & Husham	10 February 2024	
Date: 09 January 2024		
Scale: As Mentioned Print on: A3		

Projects Management Unit
 IGM Hospital / Kaibaa Aisarani Hingun
 Malé 20402 / Republic of Maldives

The contractors must check all dimensions on site prior to the commencement of any work.



(PROPOSED PHEBOTOMY)
SECTION - A
 SCALE: 1:100

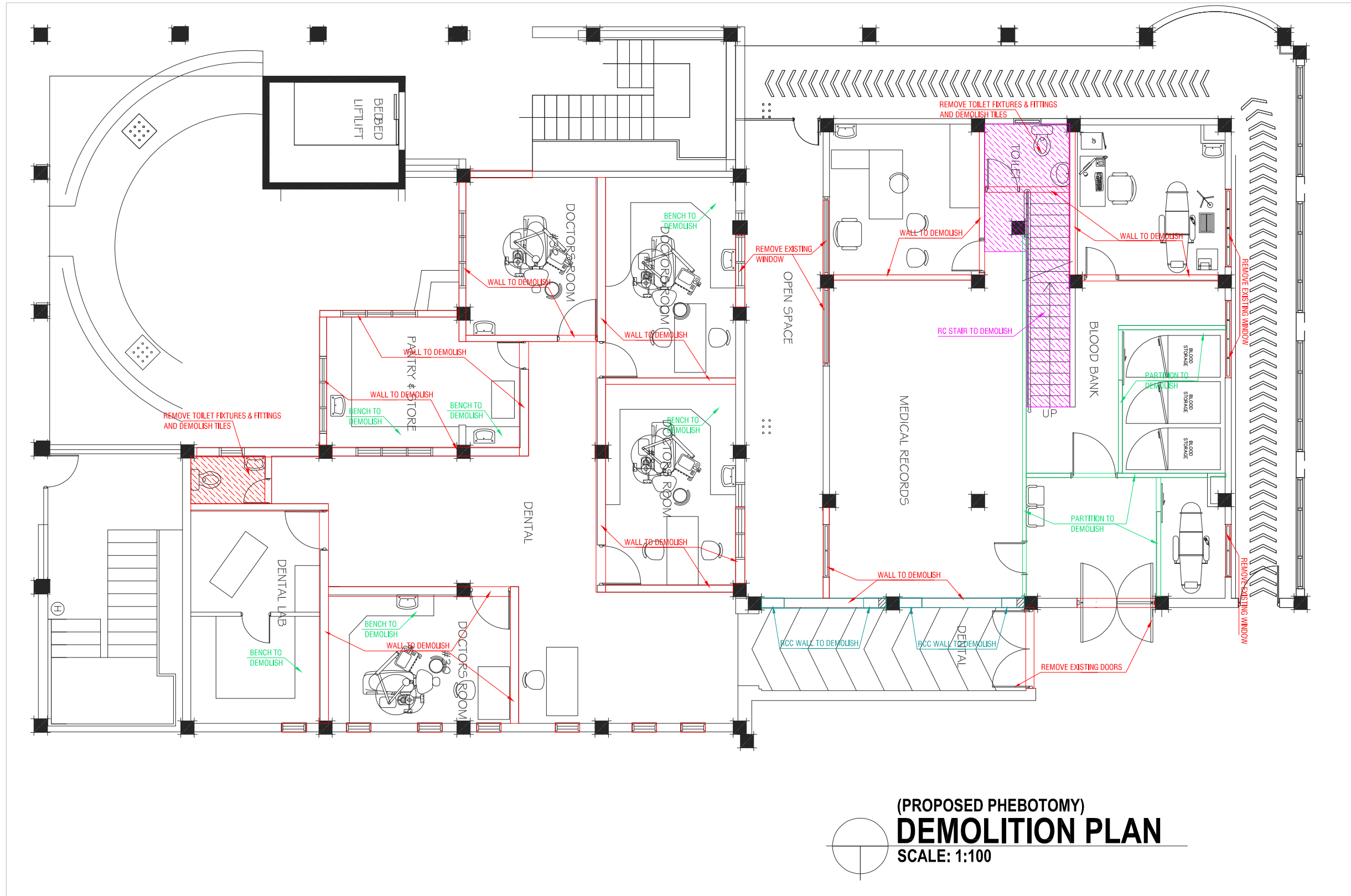
Checked & Approved By:	Name / Signature / Date:	Estate Department:	
CEFO:		IT Department:	
Head of Department:		Plumbing Section:	
Quality Control Department:		Electrical Section:	
Bio Medical Department:		AC Section:	

Project Title: PROPOSED PHLEBOTOMY
Location: GROUND FLOOR (Previous Dental & Blood Bank Area)

Designed by: <i>M. Naushad</i>	Revisions:	Remarks:
Drafting by: <i>M. Naushad & Husham</i>	10 February 2024	
Date: 09 January 2024		
Scale: As Mentioned Print on: A3		

Projects Management Unit IGM Hospital / Kaibaa Aisarani Hingun Malé 20402 / Republic of Maldives
The contractors must check all dimensions on site prior to the commencement of any work.



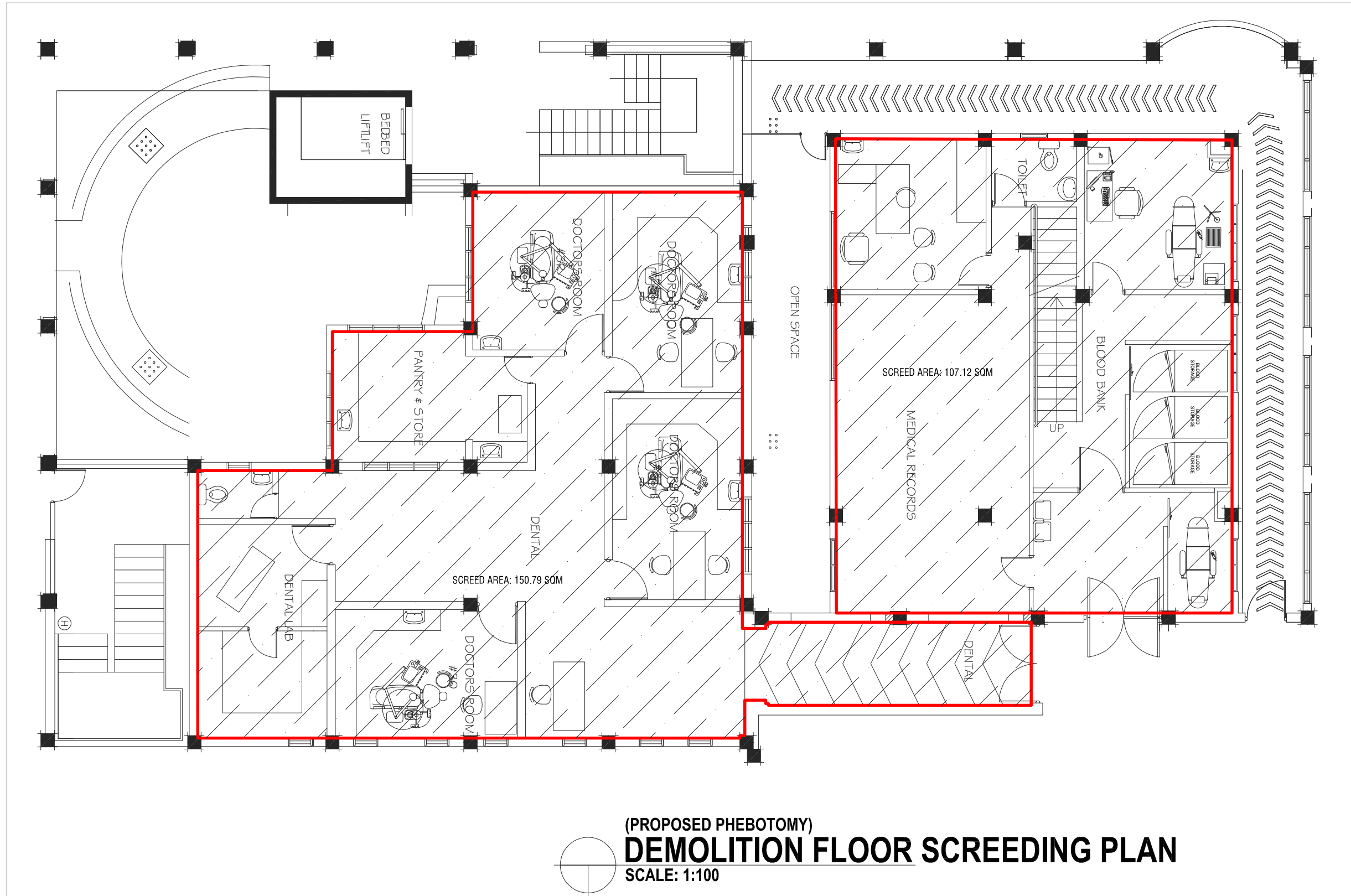


Checked & Approved By:	Name / Signature / Date:	Estate Department:	
CEFO:		IT Department:	
Head of Department:		Plumbing Section:	
Quality Control Department:		Electrical Section:	
Bio Medical Department:		AC Section:	

Project Title: PROPOSED PHLEBOTOMY
Location: GROUND FLOOR (Previous Dental & Blood Bank Area)

Designed by: M. Naushad	Revisions:	Remarks:
Drafting by: M. Naushad & Husham	10 February 2024	
Date: 09 January 2024		
Scale: As Mentioned Print on: A3		

Projects Management Unit IGM Hospital / Kaibaa Aisarani Hingun Malé 20402 / Republic of Maldives	
The contractors must check all dimensions on site prior to the commencement of any work.	



Checked & Approved By:	Name / Signature / Date:	Estate Department:	
CEFO:		IT Department:	
Head of Department:		Plumbing Section:	
Quality Control Department:		Electrical Section:	
Bio Medical Department:		AC Section:	

Project Title: PROPOSED PHLEBOTOMY
Location: GROUND FLOOR (Previous Dental & Blood Bank Area)

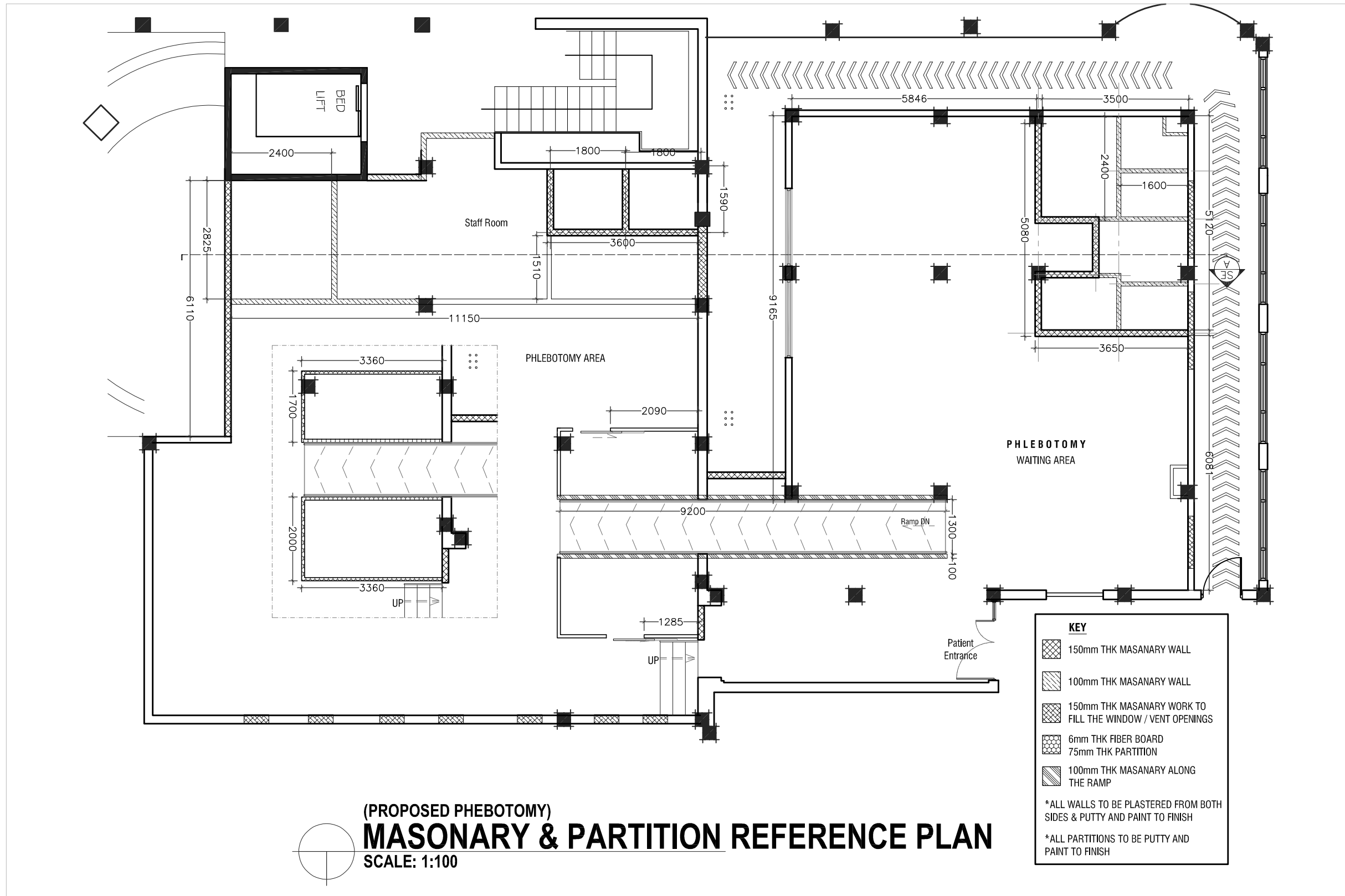
Designed by: M. Naushad	Revisions:
Drafting by: M. Naushad & Husham	10 February 2024
Date: 09 January 2024	
Scale: As Mentioned	
Print on: A3	

Remarks:

Projects Management Unit
 IGM Hospital / Kañbaa Aisarani Hingun
 Malé 20402 / Republic of Maldives

The contractors must check all dimensions on site prior to the commencement of any work.



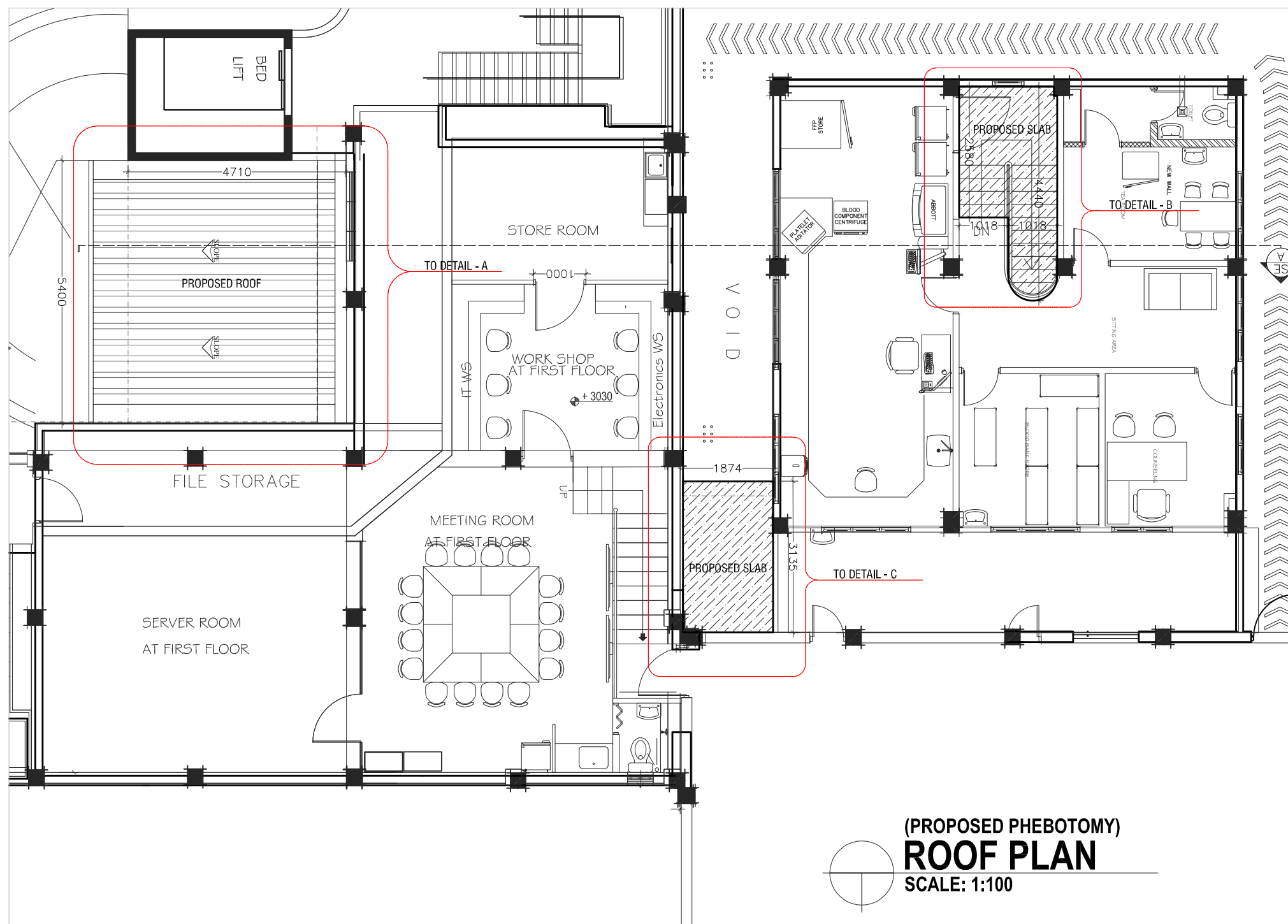


Checked & Approved By:	Name / Signature / Date:	Estate Department:	
CEFO:		IT Department:	
Head of Department:		Plumbing Section:	
Quality Control Department:		Electrical Section:	
Bio Medical Department:		AC Section:	

Project Title: PROPOSED PHLEBOTOMY
Location: GROUND FLOOR (Previous Dental & Blood Bank Area)

Designed by: M. Naushad	Revisions:	Remarks:
Drafting by: M. Naushad & Husham	10 February 2024	
Date: 09 January 2024		
Scale: As Mentioned Print on: A3		

Projects Management Unit IGM Hospital / Kaibaa Aisarani Hingun Malé 20402 / Republic of Maldives	
The contractors must check all dimensions on site prior to the commencement of any work.	

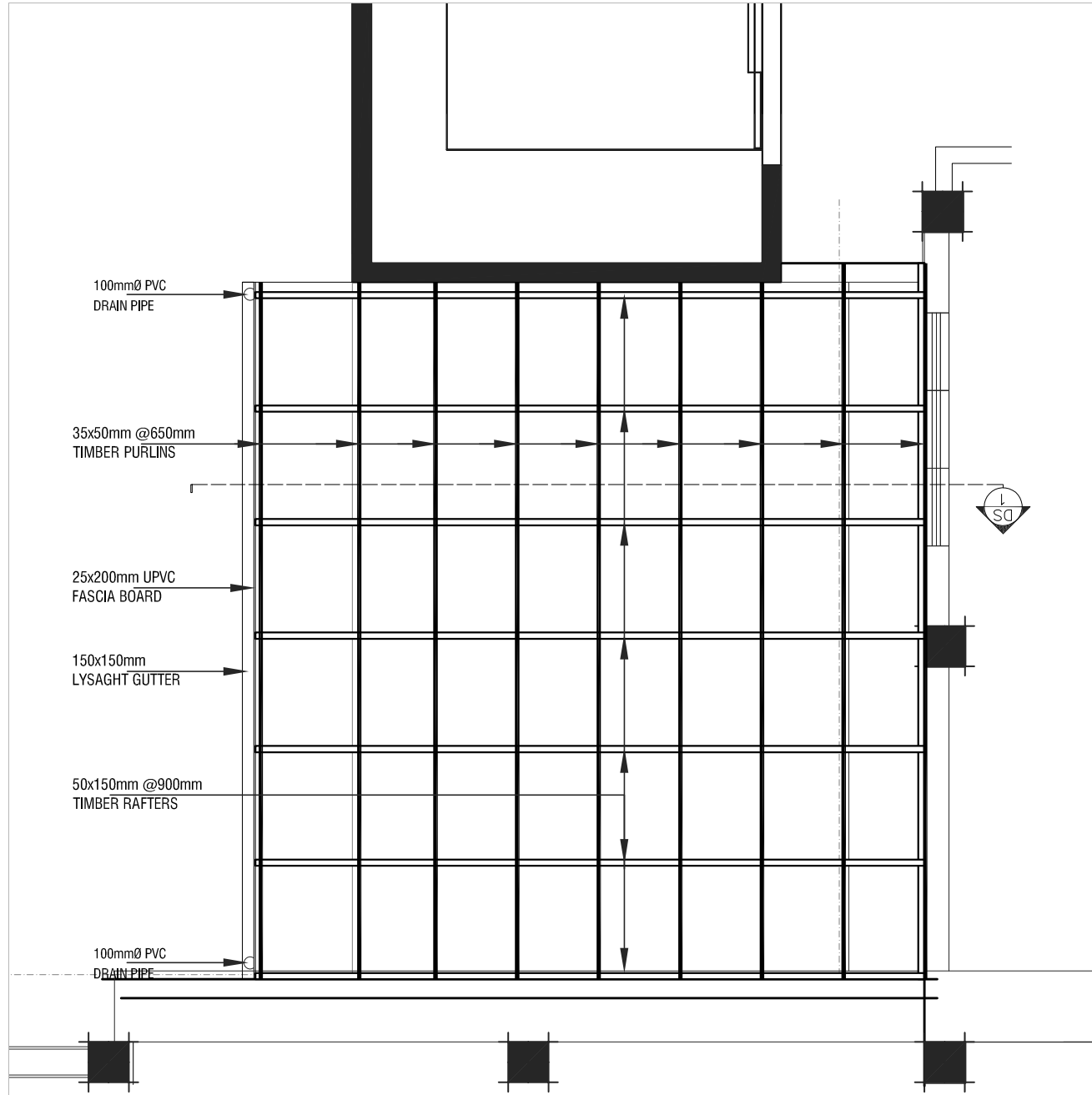


Checked & Approved By:	Name / Signature / Date:	Estate Department:	
CEFO:		IT Department:	
Head of Department:		Plumbing Section:	
Quality Control Department:		Electrical Section:	
Bio Medical Department:		AC Section:	

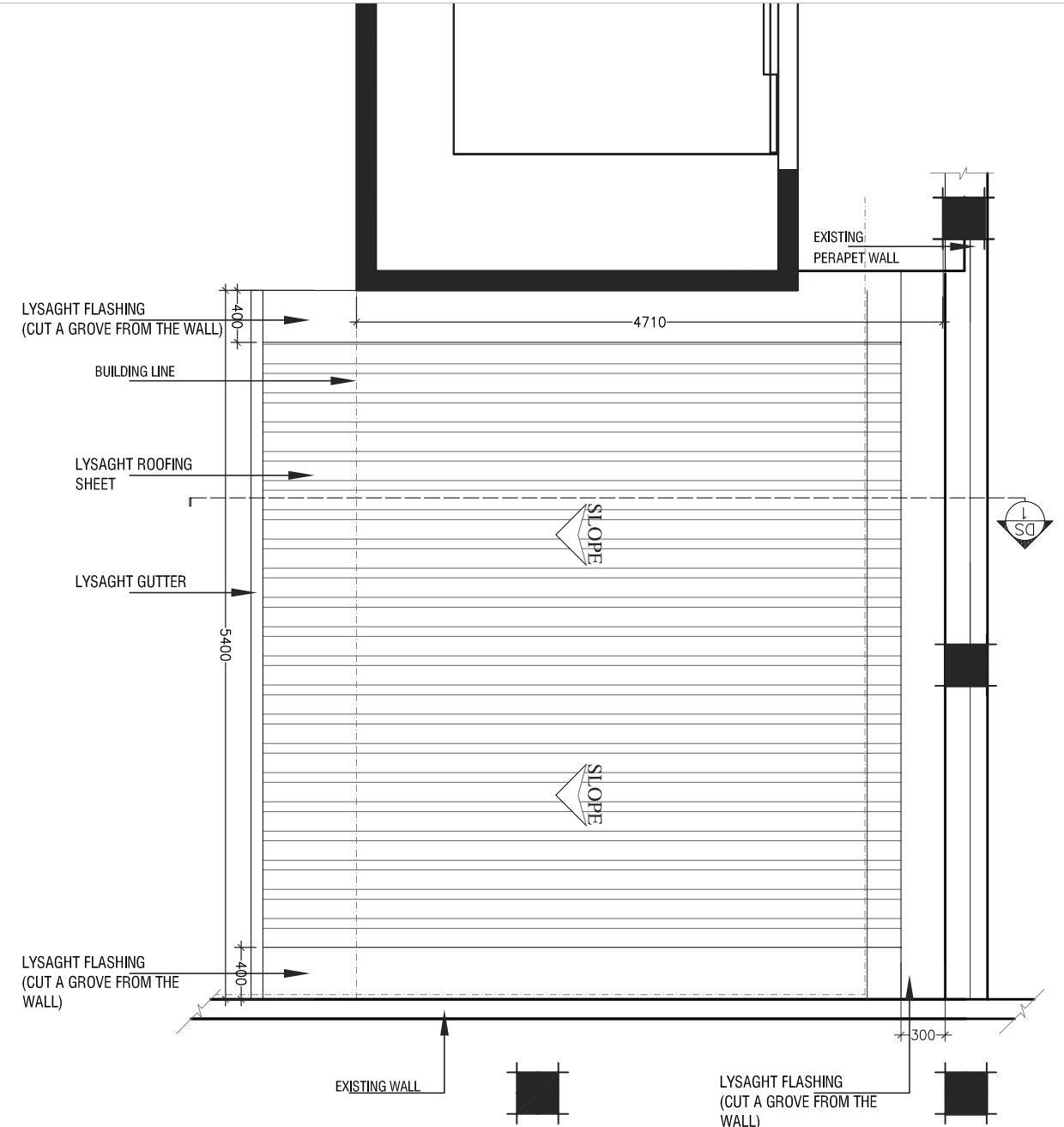
Project Title: PROPOSED PHLEBOTOMY
Location: GROUND FLOOR (Previous Dental & Blood Bank Area)

Designed by: M. Naushad	Revisions:	Remarks:
Drafting by: M. Naushad & Husham	10 February 2024	
Date: 09 January 2024		
Scale: As Mentioned Print on: A3		

Projects Management Unit IGM Hospital / Kaibaa Aisarani Hingun Malé 20402 / Republic of Maldives	
The contractors must check all dimensions on site prior to the commencement of any work.	



DETAIL - A
ROOF FRAMING PLAN
 SCALE: 1:50



DETAIL - A
ROOF PLAN
 SCALE: 1:50

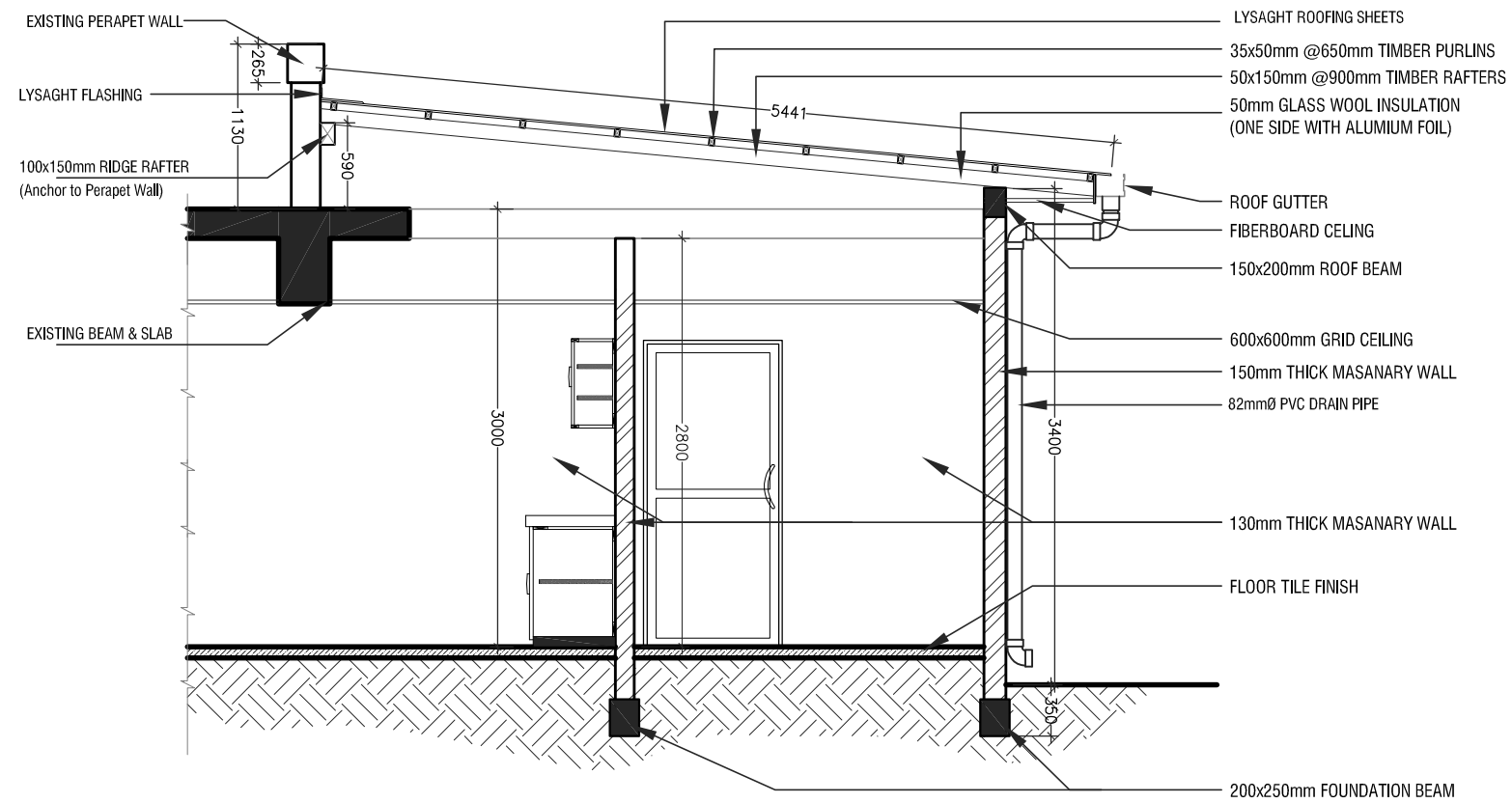
Checked & Approved By:	Name / Signature / Date:	Estate Department:	
CEFO:		IT Department:	
Head of Department:		Plumbing Section:	
Quality Control Department:		Electrical Section:	
Bio Medical Department:		AC Section:	

Project Title: PROPOSED PHLEBOTOMY
Location: GROUND FLOOR (Previous Dental & Blood Bank Area)

Designed by: M. Naushad	Revisions:	Remarks:
Drafting by: M. Naushad & Husham	10 February 2024	
Date: 09 January 2024		
Scale: As Mentioned Print on: A3		

Projects Management Unit IGM Hospital / Kañbaa Aisarani Hingun Malé 20402 / Republic of Maldives
The contractors must check all dimensions on site prior to the commencement of any work.





DETAIL - A
SECTION DS - 1
 SCALE: 1:50

Checked & Approved By:	Name / Signature / Date:	Estate Department:	
CEFO:		IT Department:	
Head of Department:		Plumbing Section:	
Quality Control Department:		Electrical Section:	
Bio Medical Department:		AC Section:	

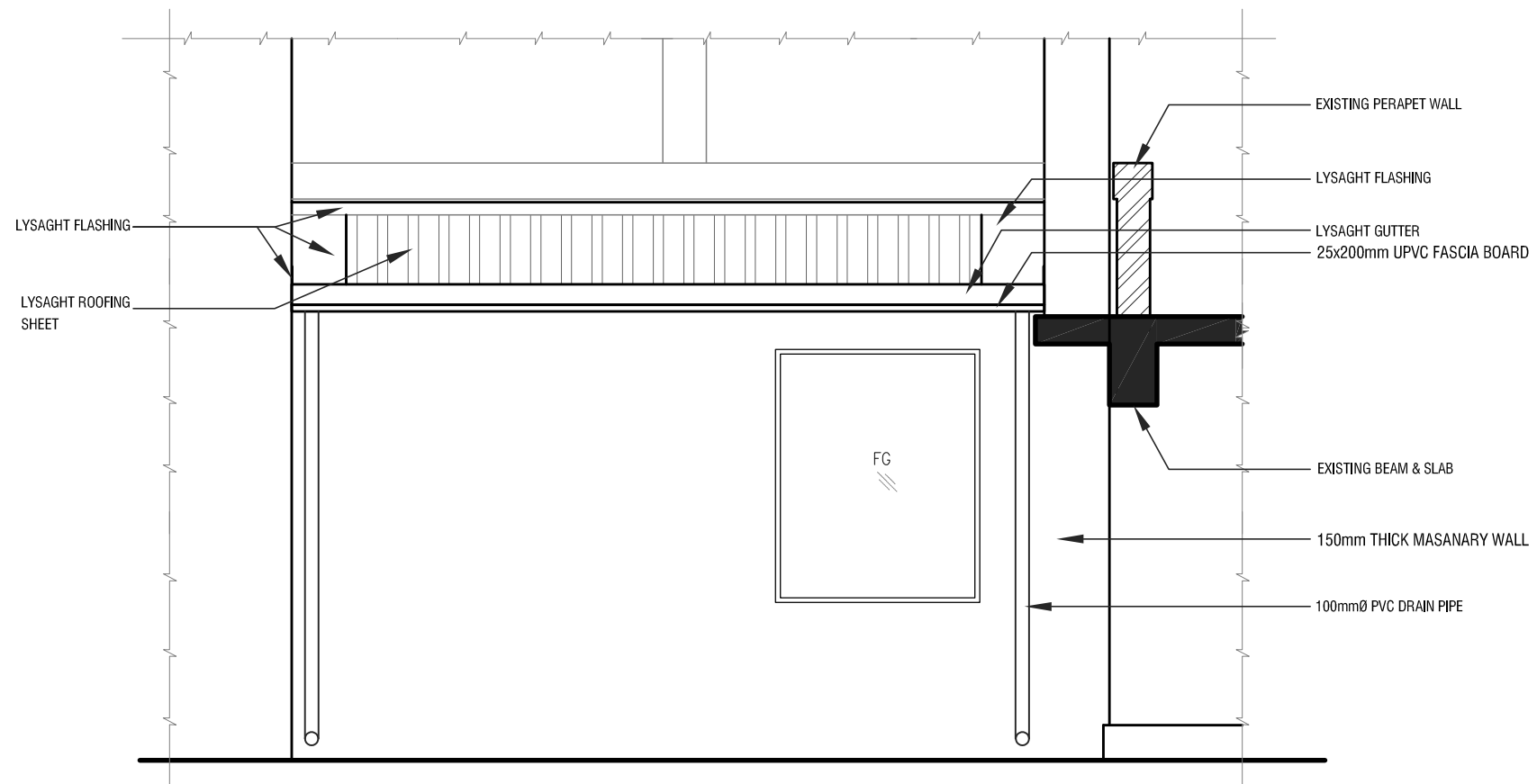
Project Title: PROPOSED PHLEBOTOMY
Location: GROUND FLOOR (Previous Dental & Blood Bank Area)

Designed by: <i>M. Naushad</i>	Revisions:
Drafting by: <i>M. Naushad & Husham</i>	10 February 2024
Date: 09 January 2024	
Scale: As Mentioned	
Print on: A3	

Remarks:

Projects Management Unit
 IGM Hospital / Kaṅbaa Aisarani Hingun
 Malé 20402 / Republic of Maldives

The contractors must check all dimensions on site prior to the commencement of any work.




DETAIL - A
ELEVATION
 SCALE: 1:50

Checked & Approved By:	Name / Signature / Date:	Estate Department:	
CEFO:		IT Department:	
Head of Department:		Plumbing Section:	
Quality Control Department:		Electrical Section:	
Bio Medical Department:		AC Section:	

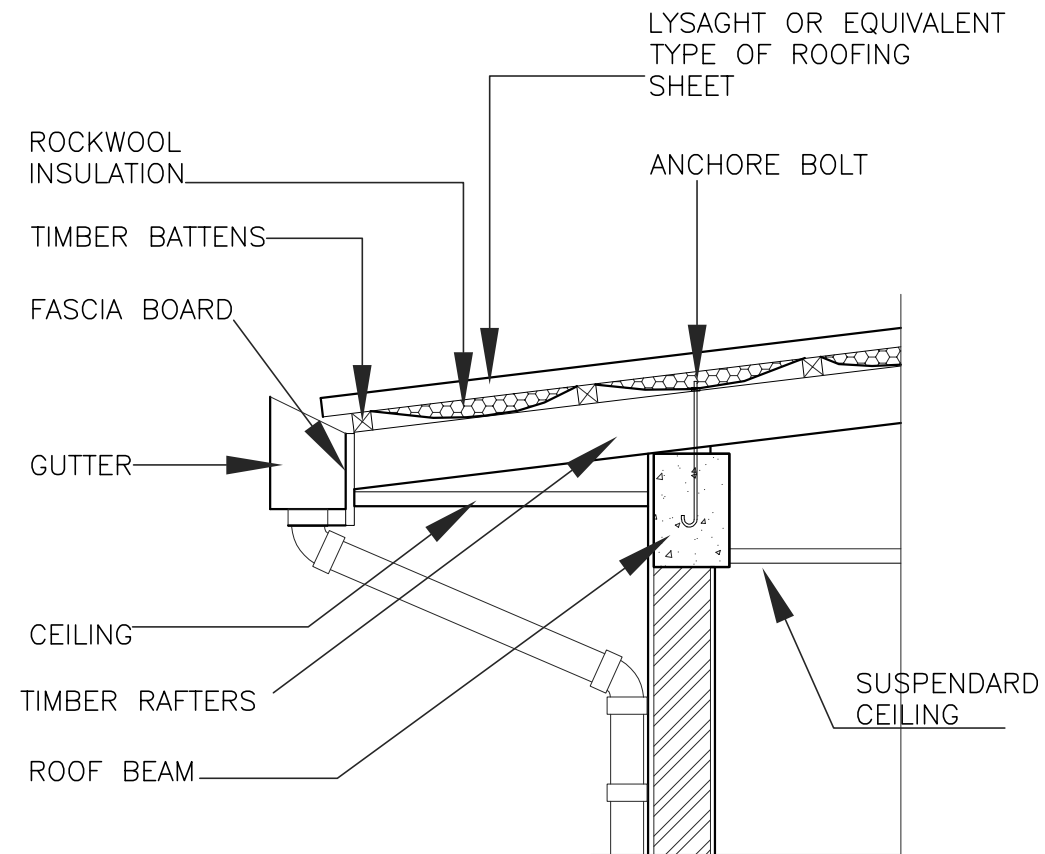
Project Title: PROPOSED PHLEBOTOMY
Location: GROUND FLOOR (Previous Dental & Blood Bank Area)

Designed by: <i>M. Naushad</i> Drafting by: <i>M. Naushad & Husham</i> Date: 09 January 2024 Scale: As Mentioned Print on: A3	Revisions: 10 February 2024
--	---------------------------------------

Remarks:

Projects Management Unit
 IGM Hospital / Kañbaa Aisarani Hingun
 Malé 20402 / Republic of Maldives
 The contractors must check all dimensions on site prior to the commencement of any work.






ROOF DETAIL SECTION
 SCALE: 1:20

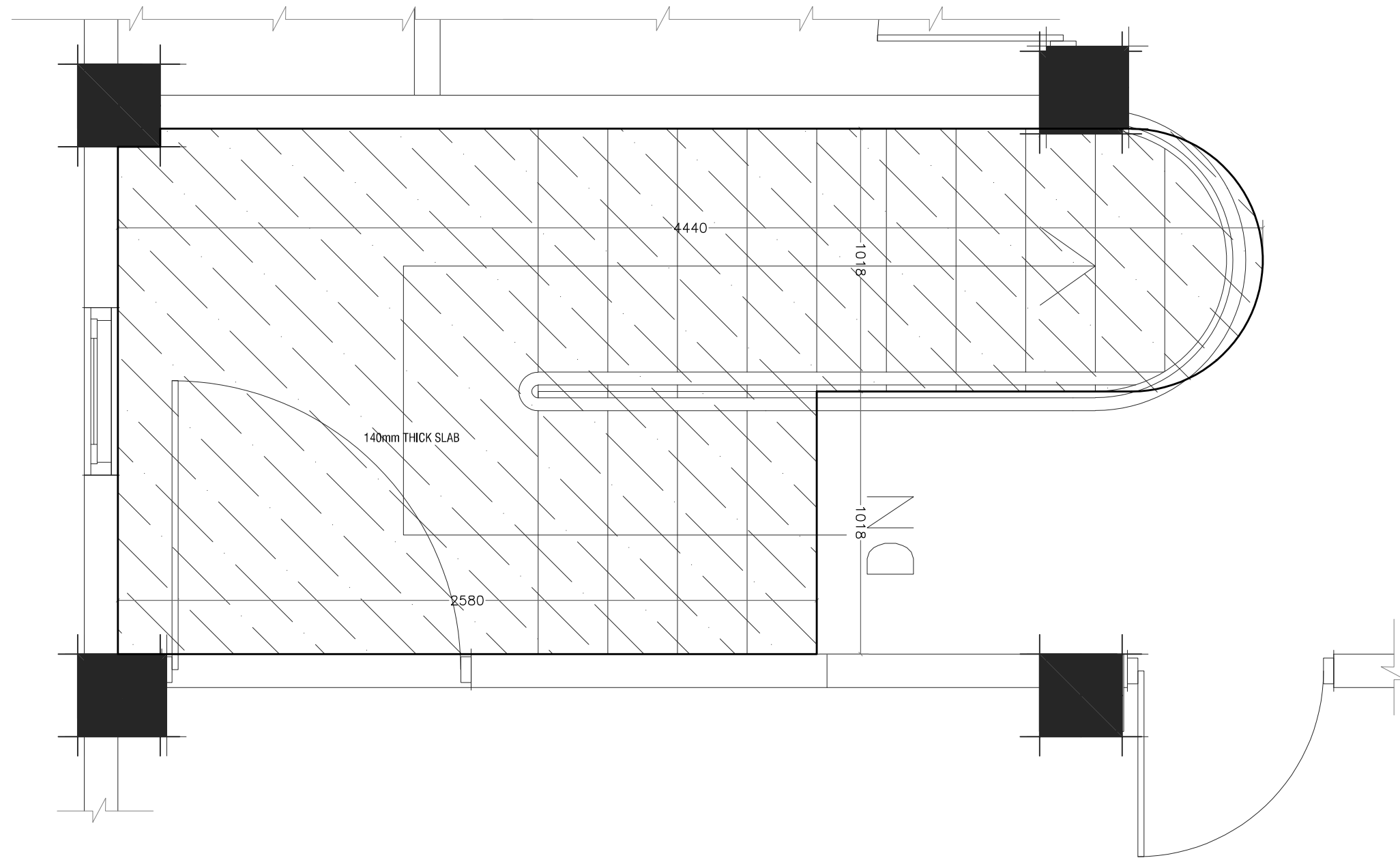
Checked & Approved By:	Name / Signature / Date:	Estate Department:	
CEFO:		IT Department:	
Head of Department:		Plumbing Section:	
Quality Control Department:		Electrical Section:	
Bio Medical Department:		AC Section:	

Project Title: PROPOSED PHLEBOTOMY
Location: GROUND FLOOR (Previous Dental & Blood Bank Area)

Designed by: <i>M. Naushad</i>	Revisions:	Remarks:
Drafting by: <i>M. Naushad & Husham</i>	10 February 2024	
Date: 09 January 2024		
Scale: As Mentioned Print on: A3		

Projects Management Unit IGM Hospital / Kaṅbaa Aisarani Hingun Malé 20402 / Republic of Maldives
The contractors must check all dimensions on site prior to the commencement of any work.





DETAIL - B
SLAB PLAN (STAIR SLAB)
 SCALE: 1:20

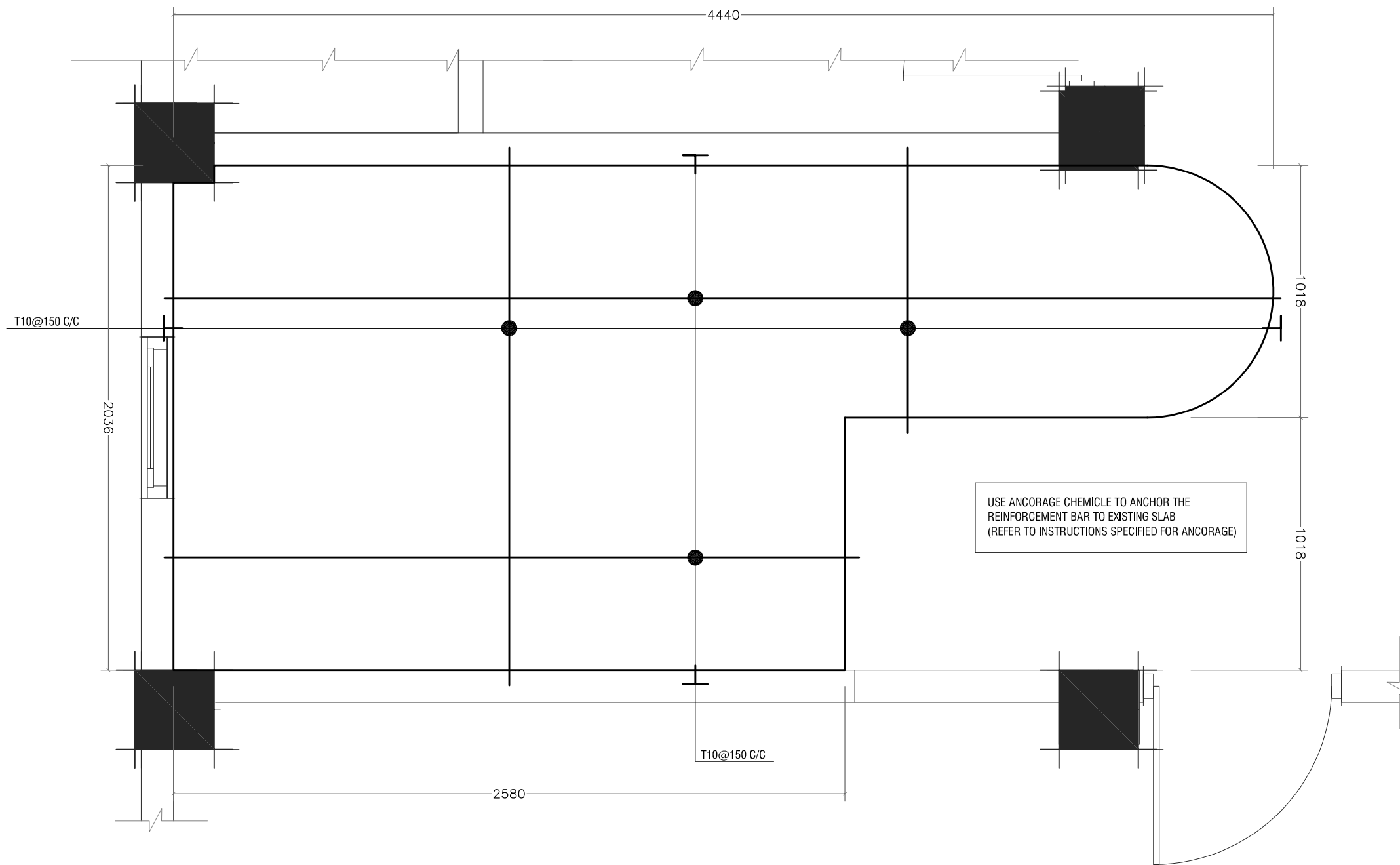
Checked & Approved By:	Name / Signature / Date:	Estate Department:	
CEFO:		IT Department:	
Head of Department:		Plumbing Section:	
Quality Control Department:		Electrical Section:	
Bio Medical Department:		AC Section:	

Project Title: PROPOSED PHLEBOTOMY
Location: GROUND FLOOR (Previous Dental & Blood Bank Area)

Designed by: <i>M. Naushad</i>	Revisions:
Drafting by: <i>M. Naushad & Husham</i>	10 February 2024
Date: 09 January 2024	
Scale: As Mentioned	
Print on: A3	

Remarks:

Projects Management Unit IGM Hospital / Kaibaa Aisarani Hingun Malé 20402 / Republic of Maldives	
The contractors must check all dimensions on site prior to the commencement of any work.	



DETAIL - B
REINFORCEMENT PLAN
 SCALE: 1:20

Checked & Approved By:	Name / Signature / Date:	Estate Department:	
CEFO:		IT Department:	
Head of Department:		Plumbing Section:	
Quality Control Department:		Electrical Section:	
Bio Medical Department:		AC Section:	

Project Title: PROPOSED PHLEBOTOMY
Location: GROUND FLOOR (Previous Dental & Blood Bank Area)

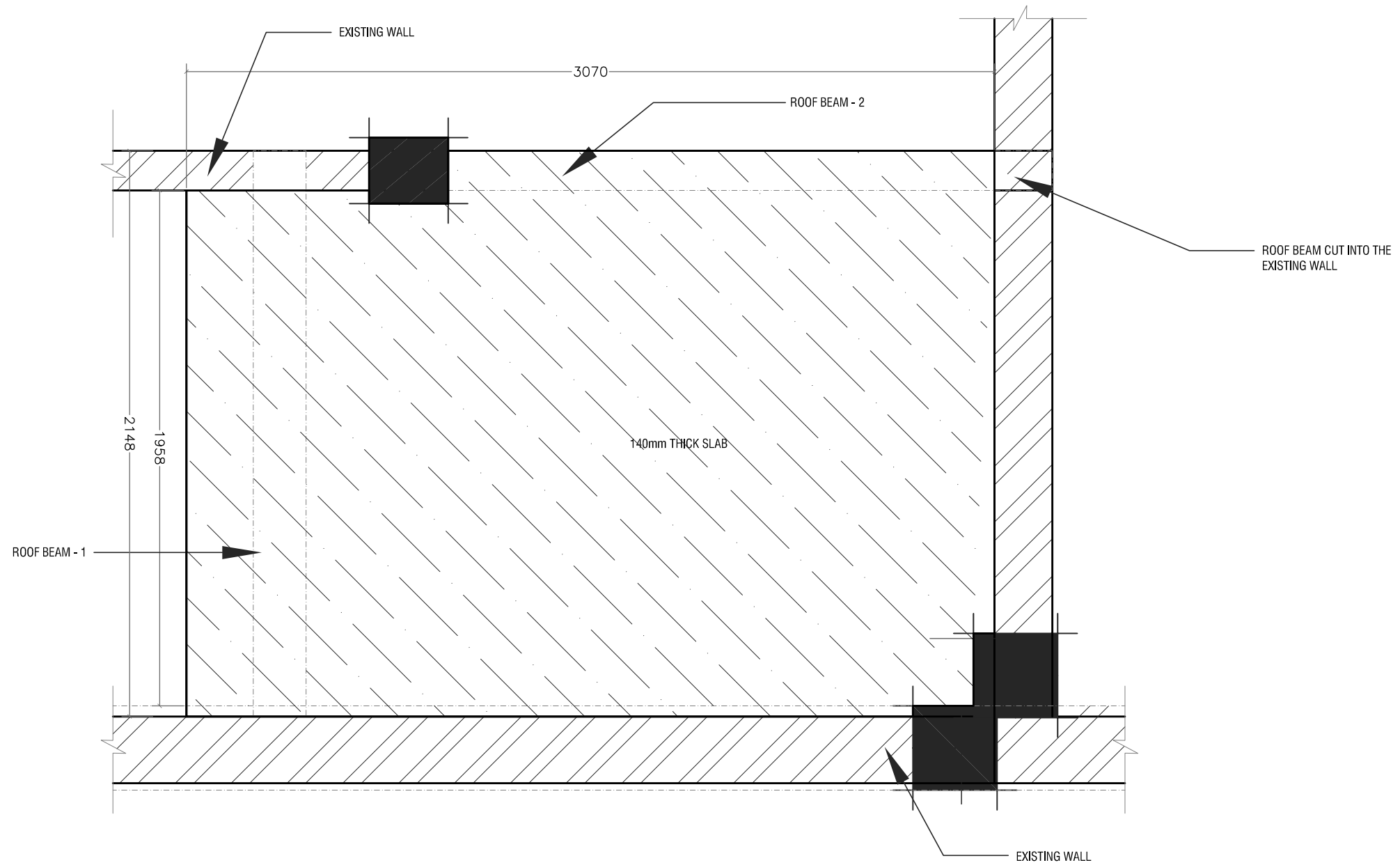
Designed by: M. Naushad	Revisions:
Drafting by: M. Naushad & Husham	10 February 2024
Date: 09 January 2024	
Scale: As Mentioned	
Print on: A3	

Remarks:

Projects Management Unit
 IGM Hospital / Kañbaa Aisarani Hingun
 Malé 20402 / Republic of Maldives

The contractors must check all dimensions on site prior to the commencement of any work.





DETAIL - C
SLAB PLAN (ROOF SLAB)
 SCALE: 1:20

Checked & Approved By:	Name / Signature / Date:	Estate Department:	
CEFO:		IT Department:	
Head of Department:		Plumbing Section:	
Quality Control Department:		Electrical Section:	
Bio Medical Department:		AC Section:	

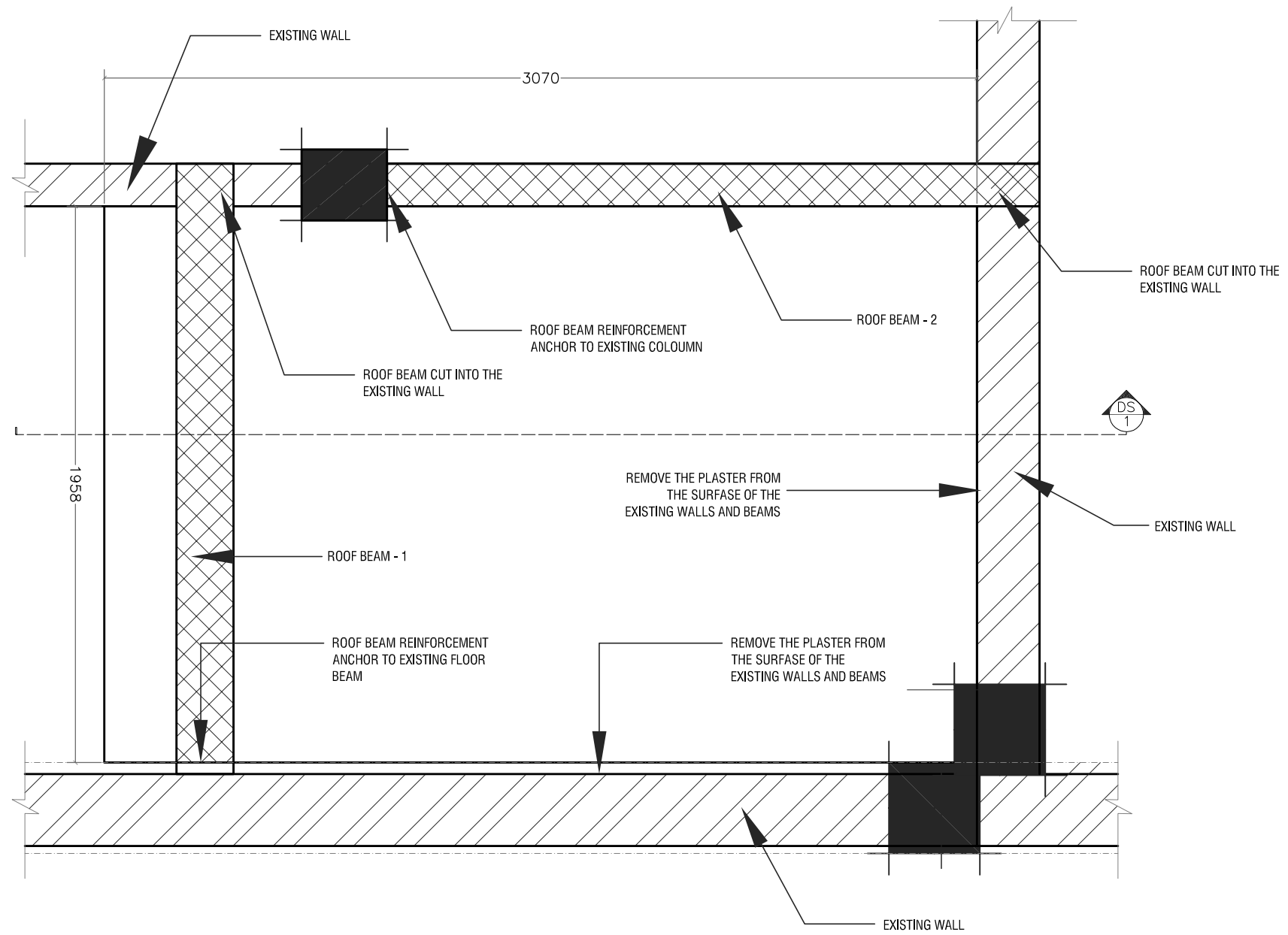
Project Title: PROPOSED PHLEBOTOMY
Location: GROUND FLOOR (Previous Dental & Blood Bank Area)

Designed by: <i>M. Naushad</i> Drafting by: <i>M. Naushad & Husham</i> Date: 09 January 2024 Scale: As Mentioned Print on: A3	Revisions: 10 February 2024
--	---------------------------------------

Remarks:

Projects Management Unit
 IGM Hospital / Kaibaa Aisarani Hingun
 Malé 20402 / Republic of Maldives
 The contractors must check all dimensions on site prior to the commencement of any work.






DETAIL - C
ROOF BEAM PLAN
 SCALE: 1:20

Checked & Approved By:	Name / Signature / Date:	Estate Department:	
CEFO:		IT Department:	
Head of Department:		Plumbing Section:	
Quality Control Department:		Electrical Section:	
Bio Medical Department:		AC Section:	

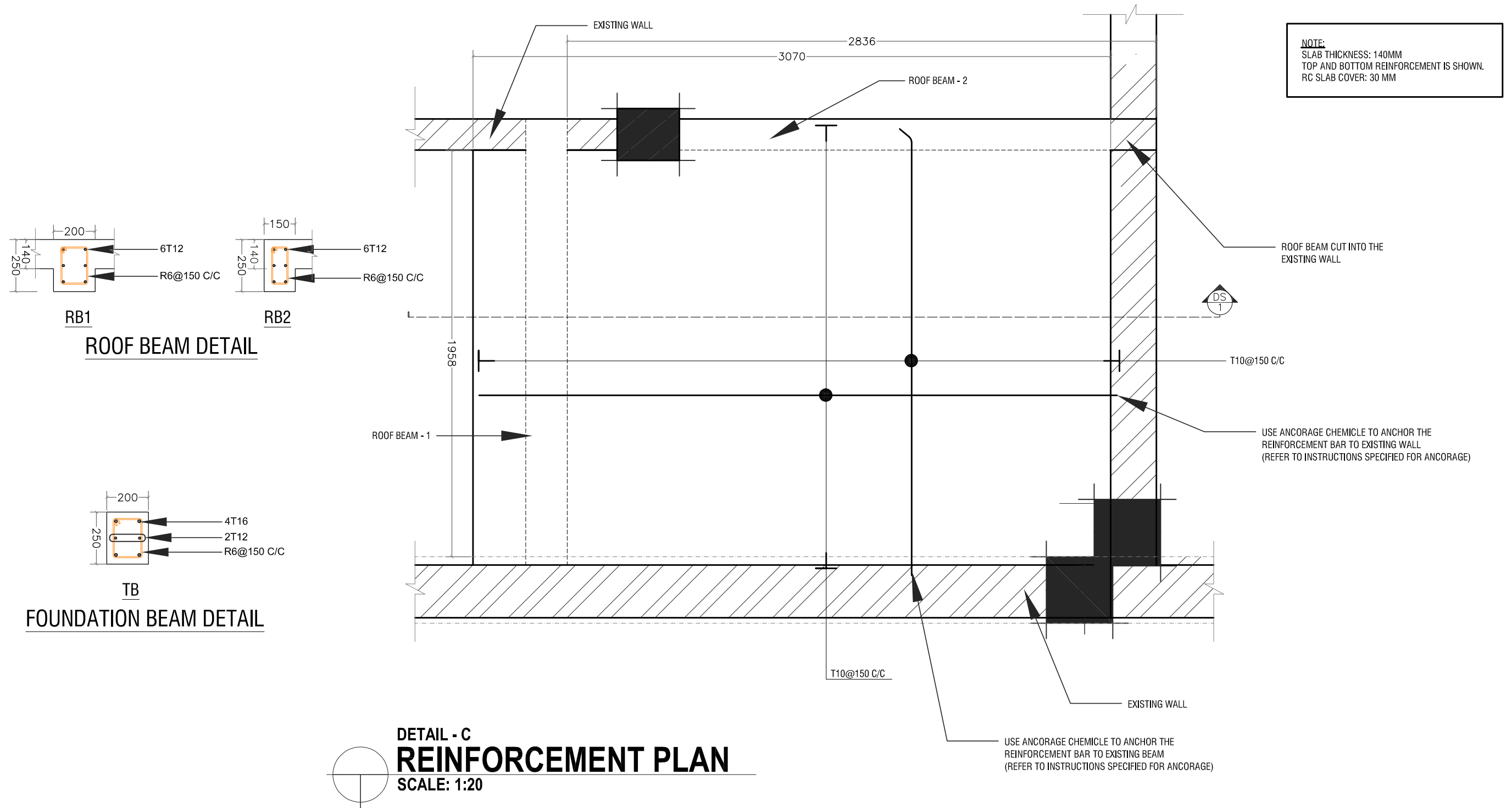
Project Title: PROPOSED PHLEBOTOMY
Location: GROUND FLOOR (Previous Dental & Blood Bank Area)

Designed by: <i>M. Naushad</i>	Revisions:
Drafting by: <i>M. Naushad & Husham</i>	10 February 2024
Date: 09 January 2024	
Scale: As Mentioned	
Print on: A3	

Remarks:

Projects Management Unit
 IGM Hospital / Kañbaa Aisarani Hingun
 Malé 20402 / Republic of Maldives
 The contractors must check all dimensions on site prior to the commencement of any work.




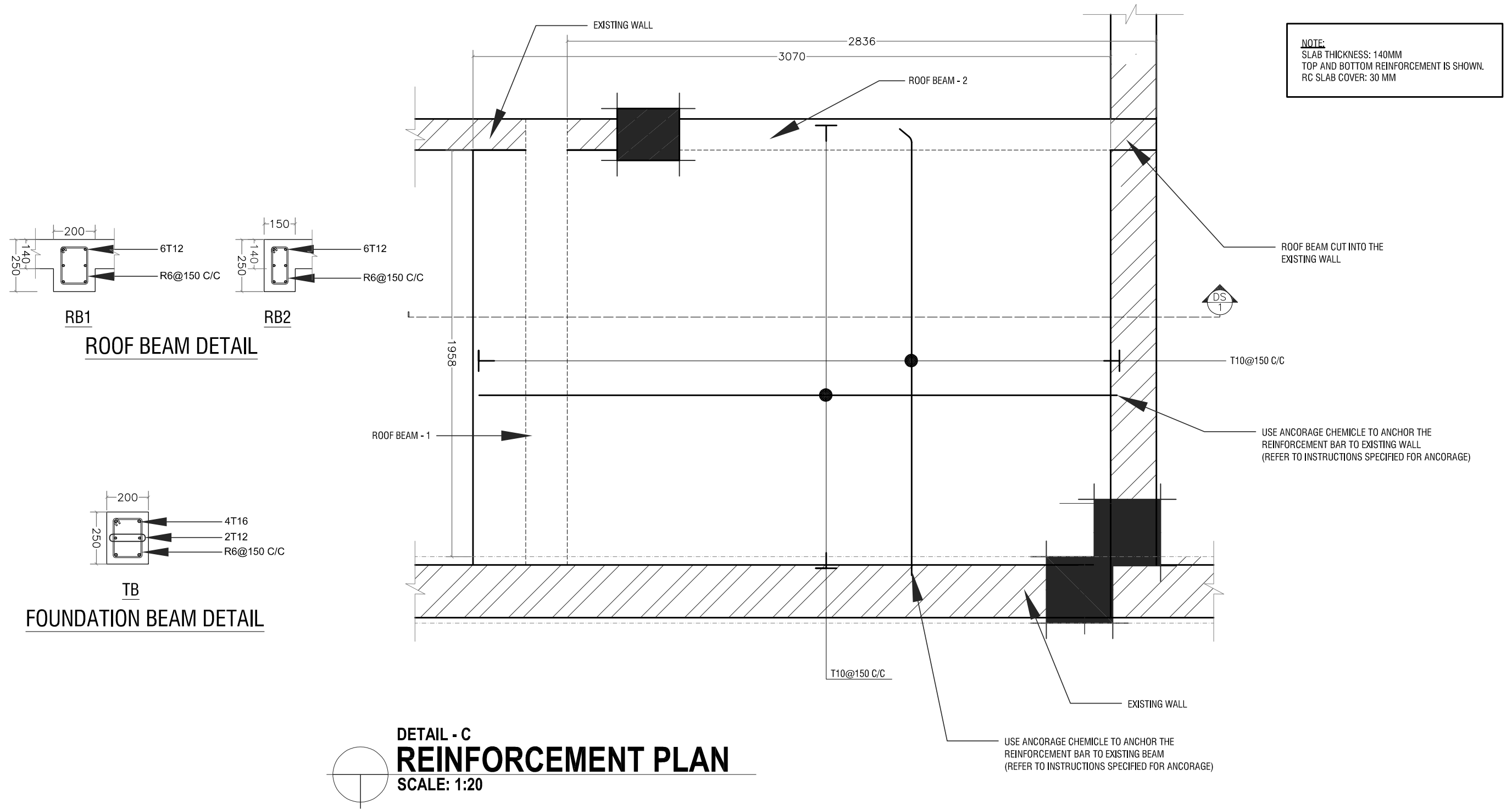


Checked & Approved By:	Name / Signature / Date:	Estate Department:	
CEFO:		IT Department:	
Head of Department:		Plumbing Section:	
Quality Control Department:		Electrical Section:	
Bio Medical Department:		AC Section:	

Project Title: PROPOSED PHLEBOTOMY
Location: GROUND FLOOR (Previous Dental & Blood Bank Area)

Designed by: M. Naushad	Revisions:	Remarks:
Drafting by: M. Naushad & Husham	10 February 2024	
Date: 09 January 2024		
Scale: As Mentioned Print on: A3		

Projects Management Unit IGM Hospital / Kañbaa Aisarani Hingun Malé 20402 / Republic of Maldives	
The contractors must check all dimensions on site prior to the commencement of any work.	



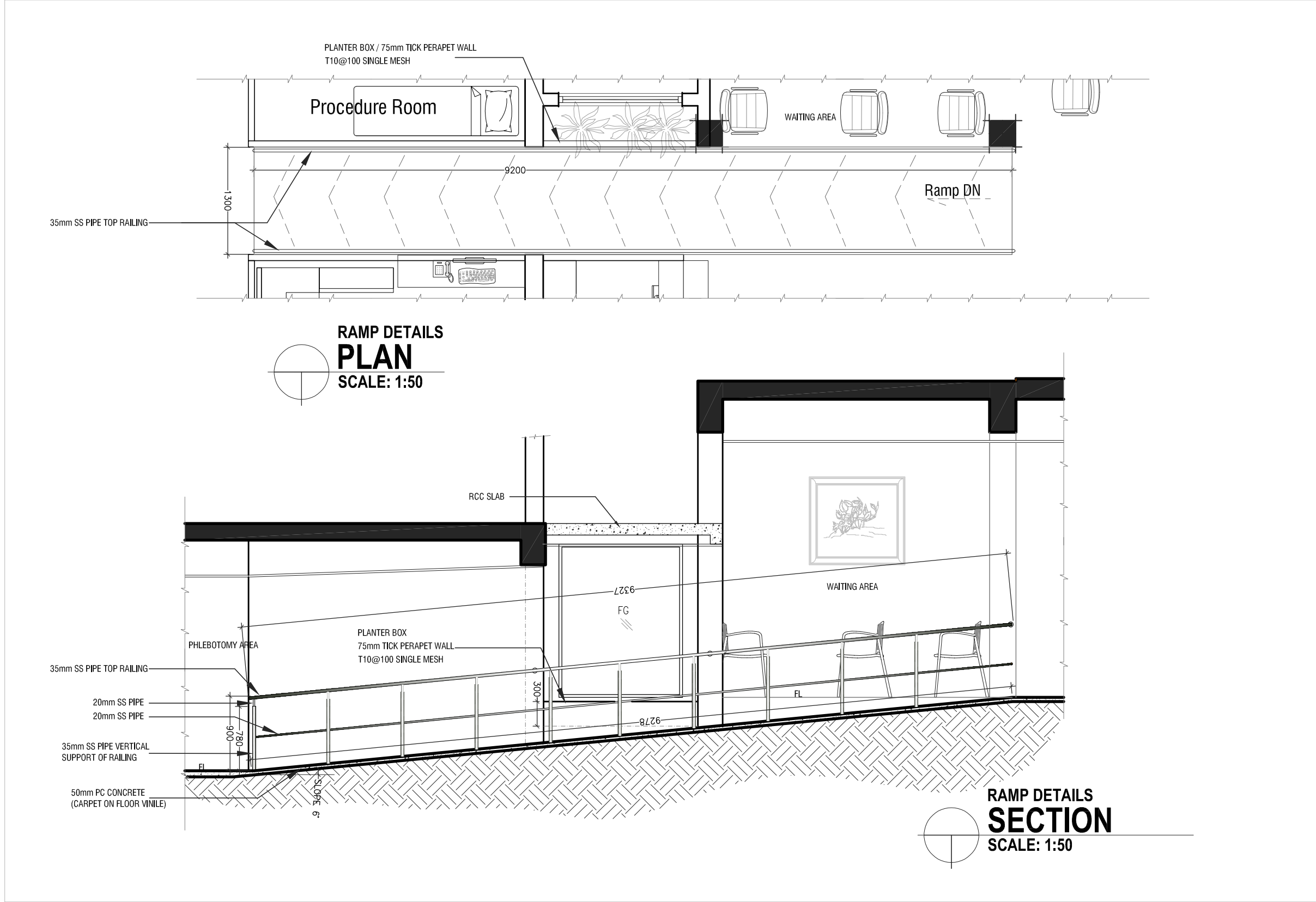
Checked & Approved By:	Name / Signature / Date:	Estate Department:	
CEFO:		IT Department:	
Head of Department:		Plumbing Section:	
Quality Control Department:		Electrical Section:	
Bio Medical Department:		AC Section:	

Project Title: PROPOSED PHLEBOTOMY
Location: GROUND FLOOR (Previous Dental & Blood Bank Area)

Designed by: M. Naushad	Revisions:	Remarks:
Drafting by: M. Naushad & Husham	10 February 2024	
Date: 09 January 2024		
Scale: As Mentioned Print on: A3		

Projects Management Unit IGM Hospital / Kañbaa Aisarani Hingun Malé 20402 / Republic of Maldives
The contractors must check all dimensions on site prior to the commencement of any work.



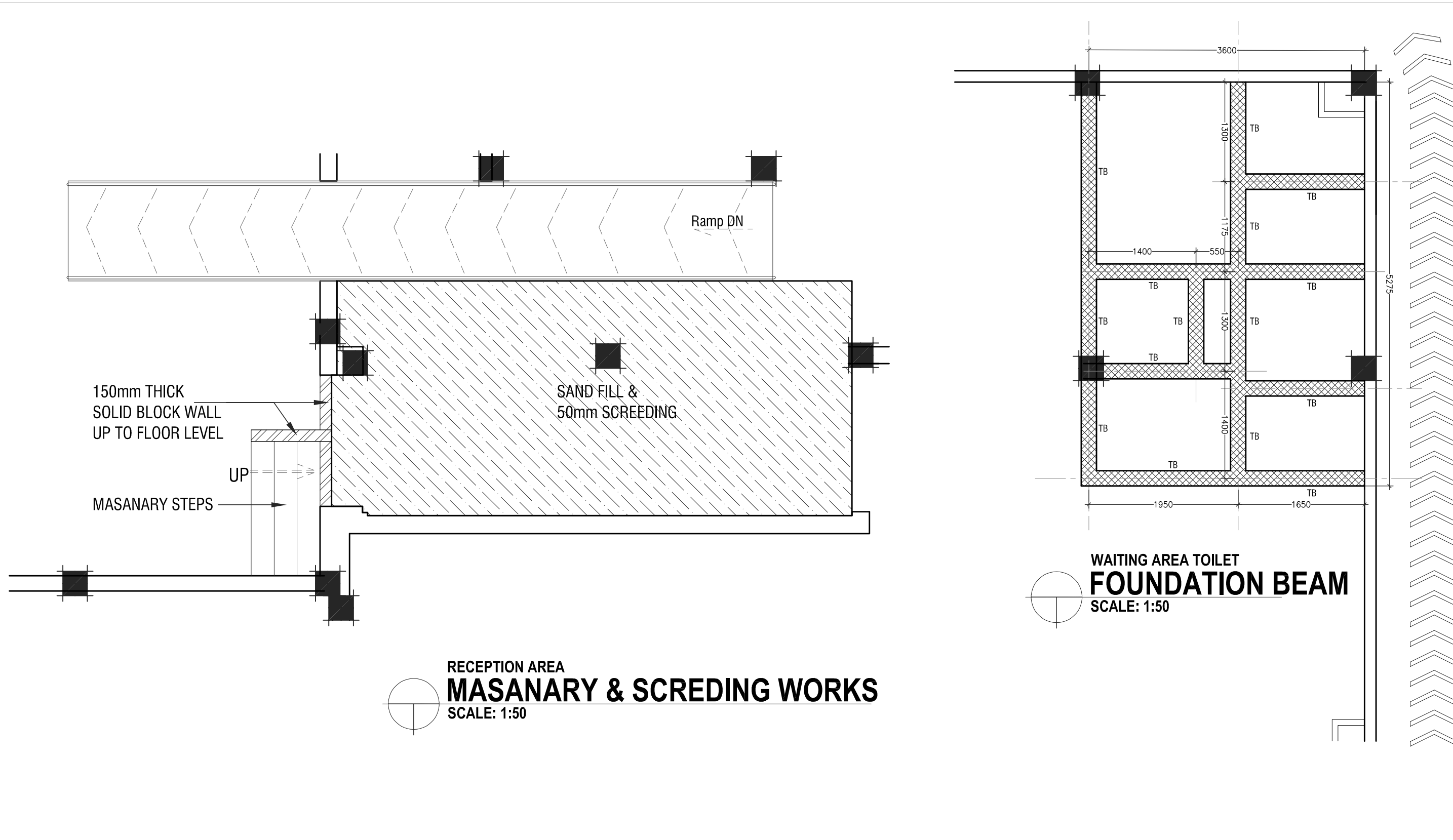


Checked & Approved By:	Name / Signature / Date:	Estate Department:	
CEFO:		IT Department:	
Head of Department:		Plumbing Section:	
Quality Control Department:		Electrical Section:	
Bio Medical Department:		AC Section:	

Project Title: PROPOSED PHLEBOTOMY
Location: GROUND FLOOR (Previous Dental & Blood Bank Area)

Designed by: M. Naushad	Revisions:	Remarks:
Drafting by: M. Naushad & Husham	10 February 2024	
Date: 09 January 2024		
Scale: As Mentioned Print on: A3		


Projects Management Unit IGM Hospital / Kaibaa Aisarani Hingun Malé 20402 / Republic of Maldives	
The contractors must check all dimensions on site prior to the commencement of any work.	

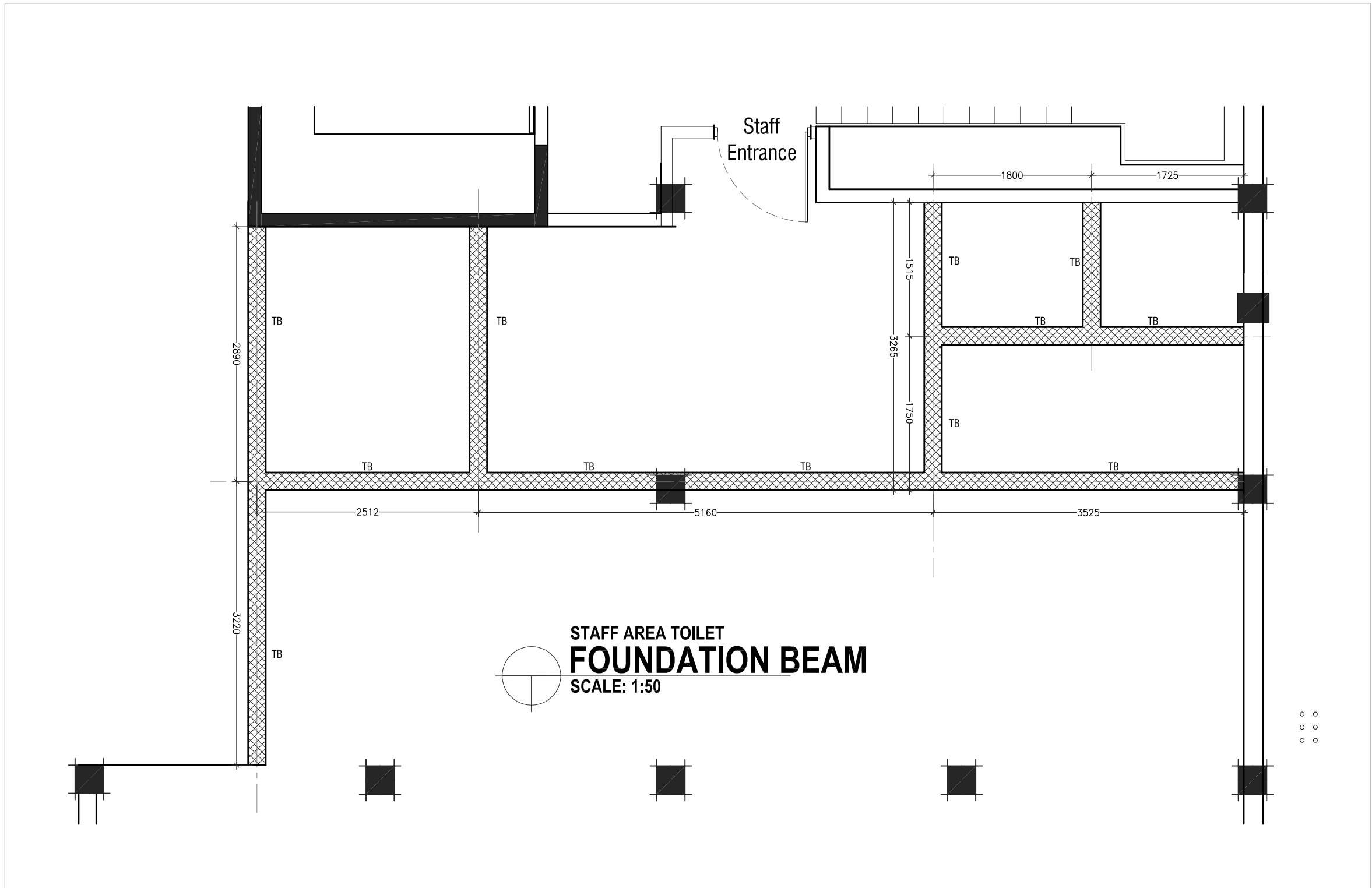


Checked & Approved By:	Name / Signature / Date:	Estate Department:	
CEFO:		IT Department:	
Head of Department:		Plumbing Section:	
Quality Control Department:		Electrical Section:	
Bio Medical Department:		AC Section:	

Project Title: PROPOSED PHLEBOTOMY
Location: GROUND FLOOR (Previous Dental & Blood Bank Area)

Designed by: M. Naushad	Revisions:	Remarks:
Drafting by: M. Naushad & Husham	10 February 2024	
Date: 09 January 2024		
Scale: As Mentioned Print on: A3		

Projects Management Unit IGM Hospital / Kañbaa Aisarani Hingun Malé 20402 / Republic of Maldives	
The contractors must check all dimensions on site prior to the commencement of any work.	



Checked & Approved By:	Name / Signature / Date:	Estate Department:	
CEFO:		IT Department:	
Head of Department:		Plumbing Section:	
Quality Control Department:		Electrical Section:	
Bio Medical Department:		AC Section:	

Project Title: PROPOSED PHLEBOTOMY
Location: GROUND FLOOR (Previous Dental & Blood Bank Area)

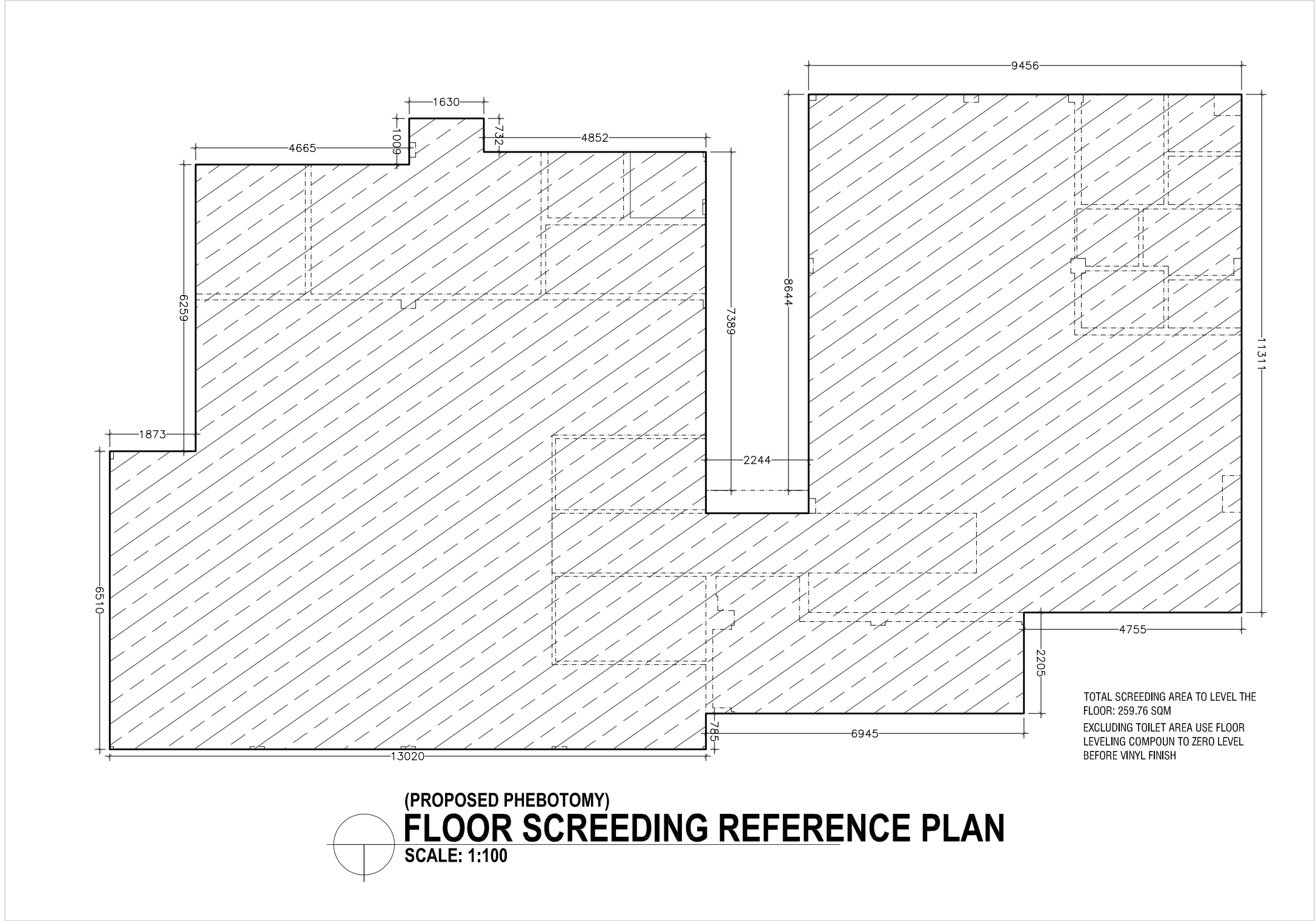
Designed by: <i>M. Naushad</i>	Revisions:
Drafting by: <i>M. Naushad & Husham</i>	10 February 2024
Date: 09 January 2024	
Scale: As Mentioned	
Print on: A3	

Remarks:

Projects Management Unit
IGM Hospital / Kaṅbaa Aisarani Hingun
Malé 20402 / Republic of Maldives

The contractors must check all dimensions on site prior to the commencement of any work.





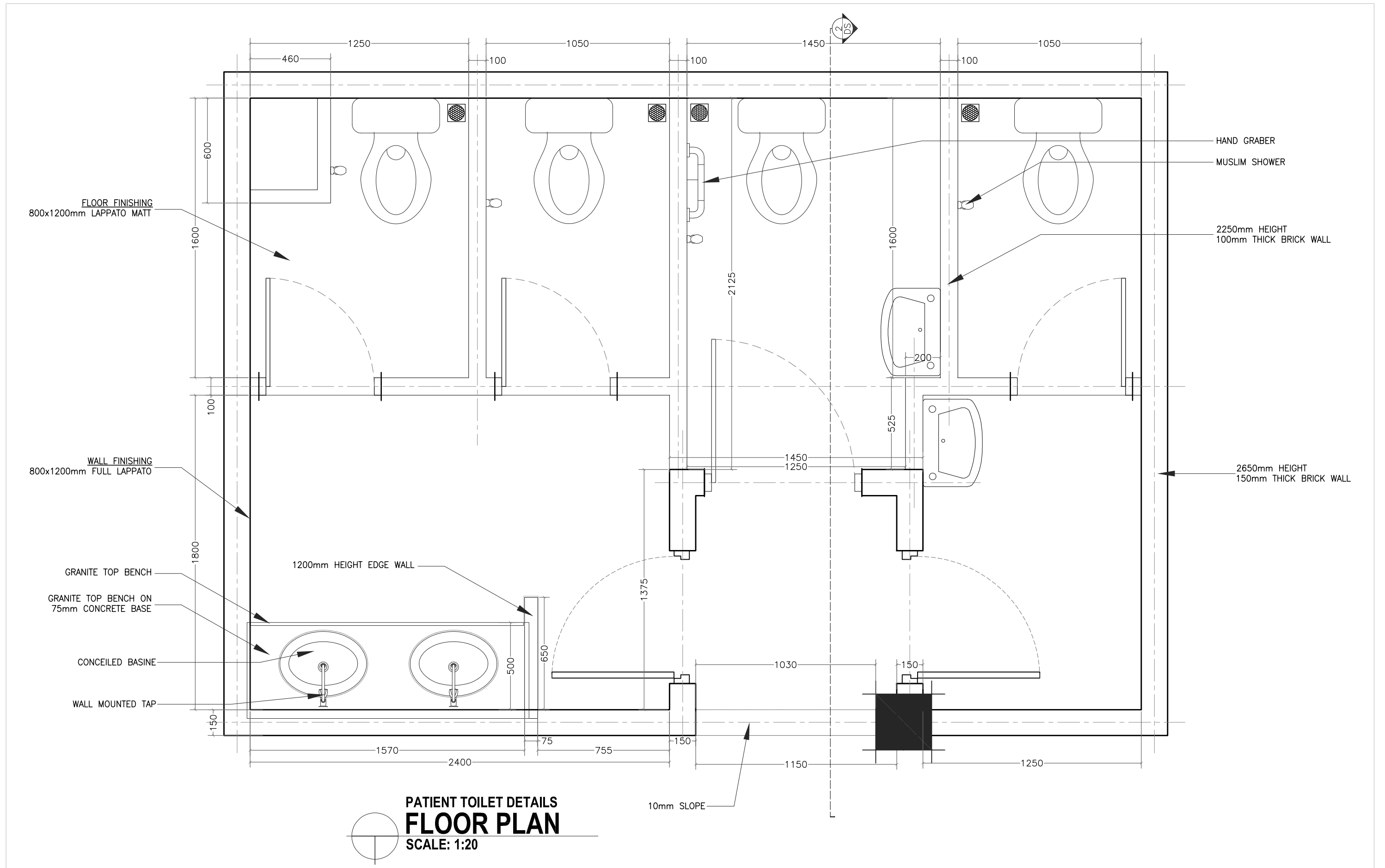
Checked & Approved By:	Name / Signature / Date:	Estate Department:	
CEFO:		IT Department:	
Head of Department:		Plumbing Section:	
Quality Control Department:		Electrical Section:	
Bio Medical Department:		AC Section:	

Project Title: PROPOSED PHLEBOTOMY
Location: GROUND FLOOR (Previous Dental & Blood Bank Area)

Designed by: <i>M. Naushad</i>	Revisions:
Drafting by: <i>M. Naushad & Husham</i>	10 February 2024
Date: 09 January 2024	
Scale: As Mentioned	
Print on: A3	

Remarks:


Projects Management Unit IGM Hospital / Kañbaa Aisarani Hingun Malé 20402 / Republic of Maldives	
The contractors must check all dimensions on site prior to the commencement of any work.	

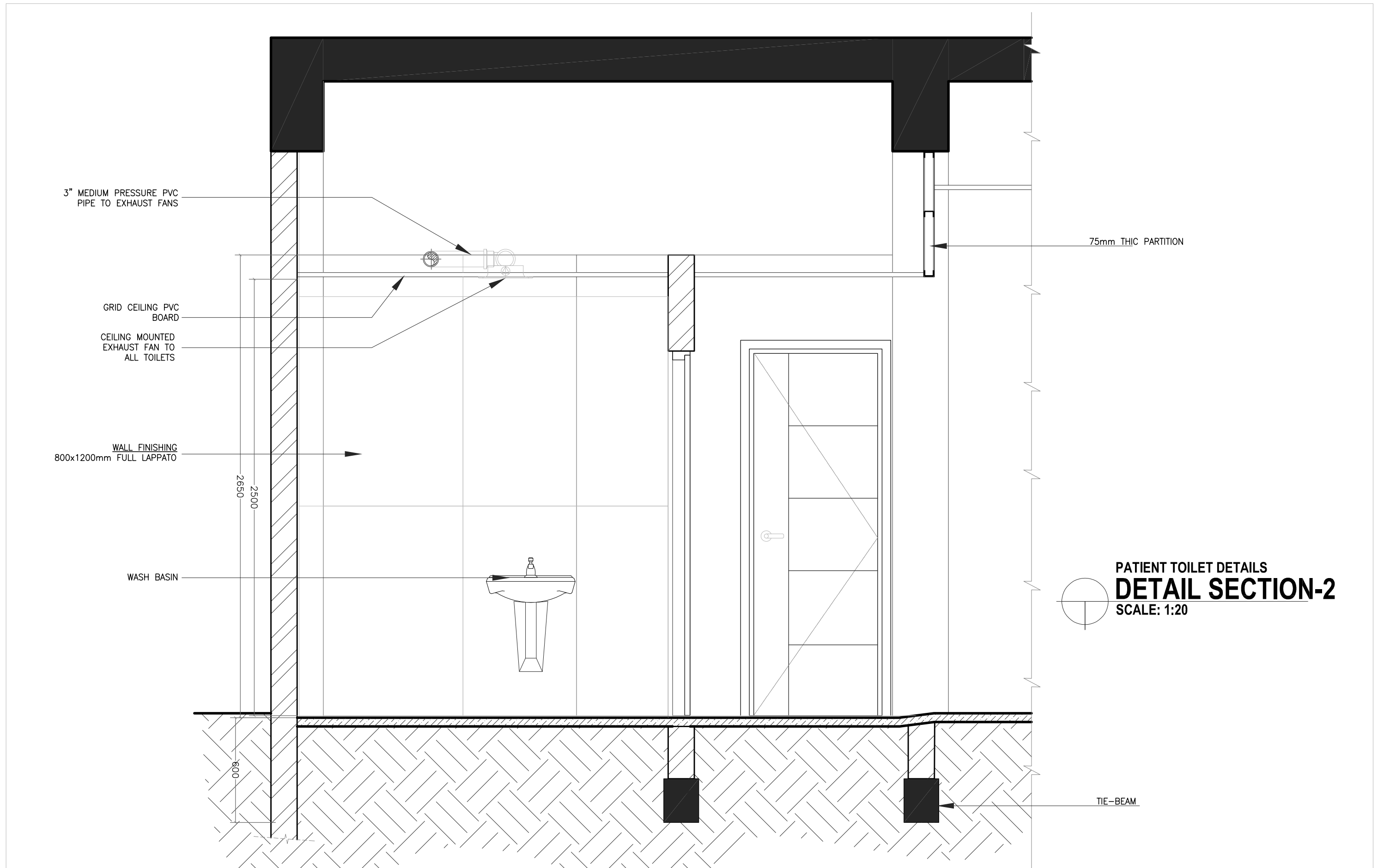


Checked & Approved By:	Name / Signature / Date:	Estate Department:	
CEFO:		IT Department:	
Head of Department:		Plumbing Section:	
Quality Control Department:		Electrical Section:	
Bio Medical Department:		AC Section:	

Project Title: PROPOSED PHLEBOTOMY
Location: GROUND FLOOR (Previous Dental & Blood Bank Area)

Designed by: <i>M. Naushad</i>	Revisions:	Remarks:
Drafting by: <i>M. Naushad & Husham</i>	10 February 2024	
Date: 09 January 2024		
Scale: As Mentioned Print on: A3		

Projects Management Unit IGM Hospital / Kañbaa Aisarani Hingun Malé 20402 / Republic of Maldives	
The contractors must check all dimensions on site prior to the commencement of any work.	



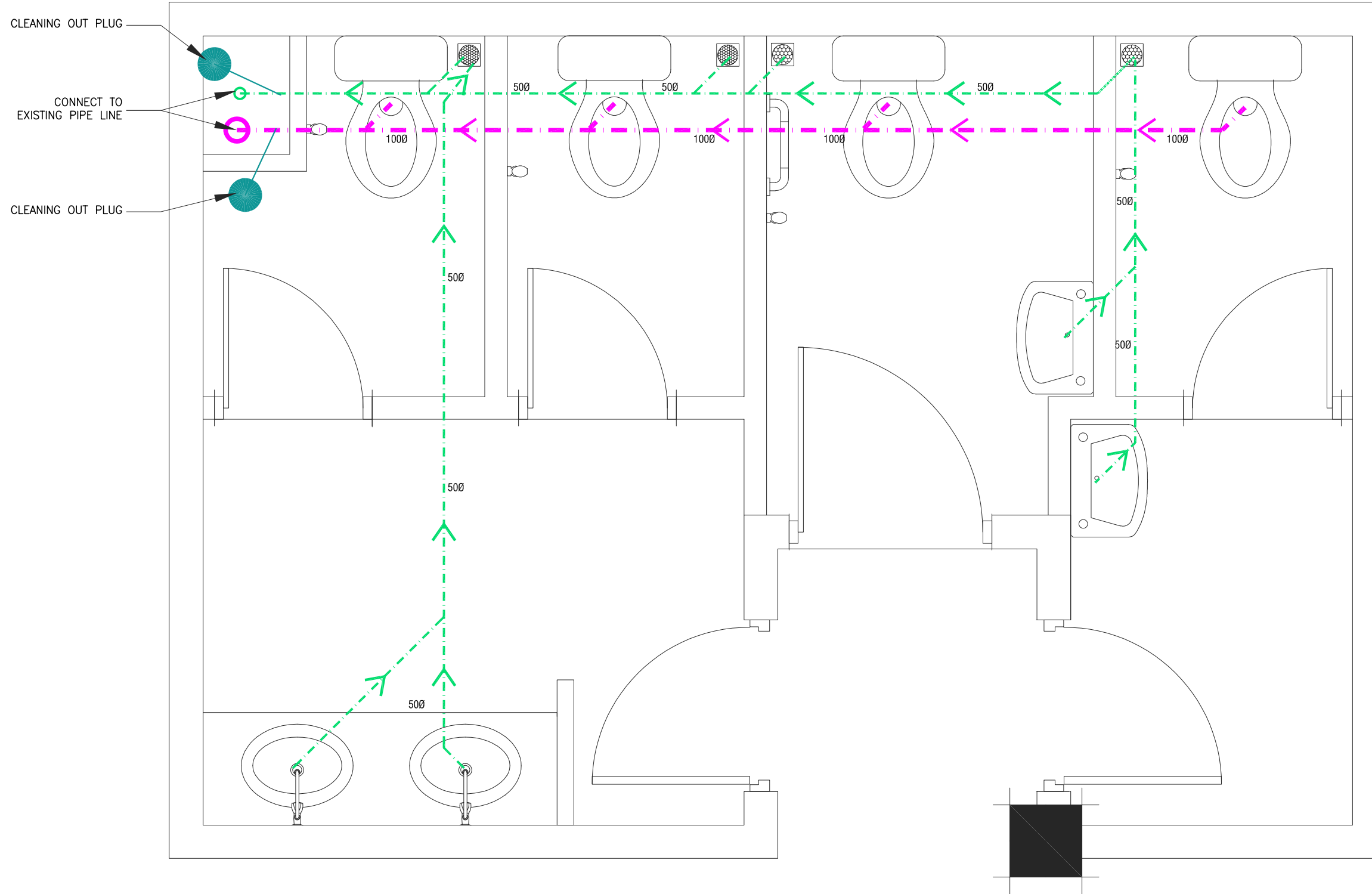
Checked & Approved By:	Name / Signature / Date:	Estate Department:	
CEFO:		IT Department:	
Head of Department:		Plumbing Section:	
Quality Control Department:		Electrical Section:	
Bio Medical Department:		AC Section:	

Project Title: PROPOSED PHLEBOTOMY
Location: GROUND FLOOR (Previous Dental & Blood Bank Area)

Designed by: M. Naushad	Revisions:
Drafting by: M. Naushad & Husham	10 February 2024
Date: 09 January 2024	
Scale: As Mentioned	
Print on: A3	

Remarks:

Projects Management Unit IGM Hospital / Kañbaa Aisarani Hingun Malé 20402 / Republic of Maldives	
The contractors must check all dimensions on site prior to the commencement of any work.	




PATIENT TOILET DETAILS
DRAINAGE LAYOUT
 SCALE: 1:20

Checked & Approved By:	Name / Signature / Date:	Estate Department:	
CEFO:		IT Department:	
Head of Department:		Plumbing Section:	
Quality Control Department:		Electrical Section:	
Bio Medical Department:		AC Section:	

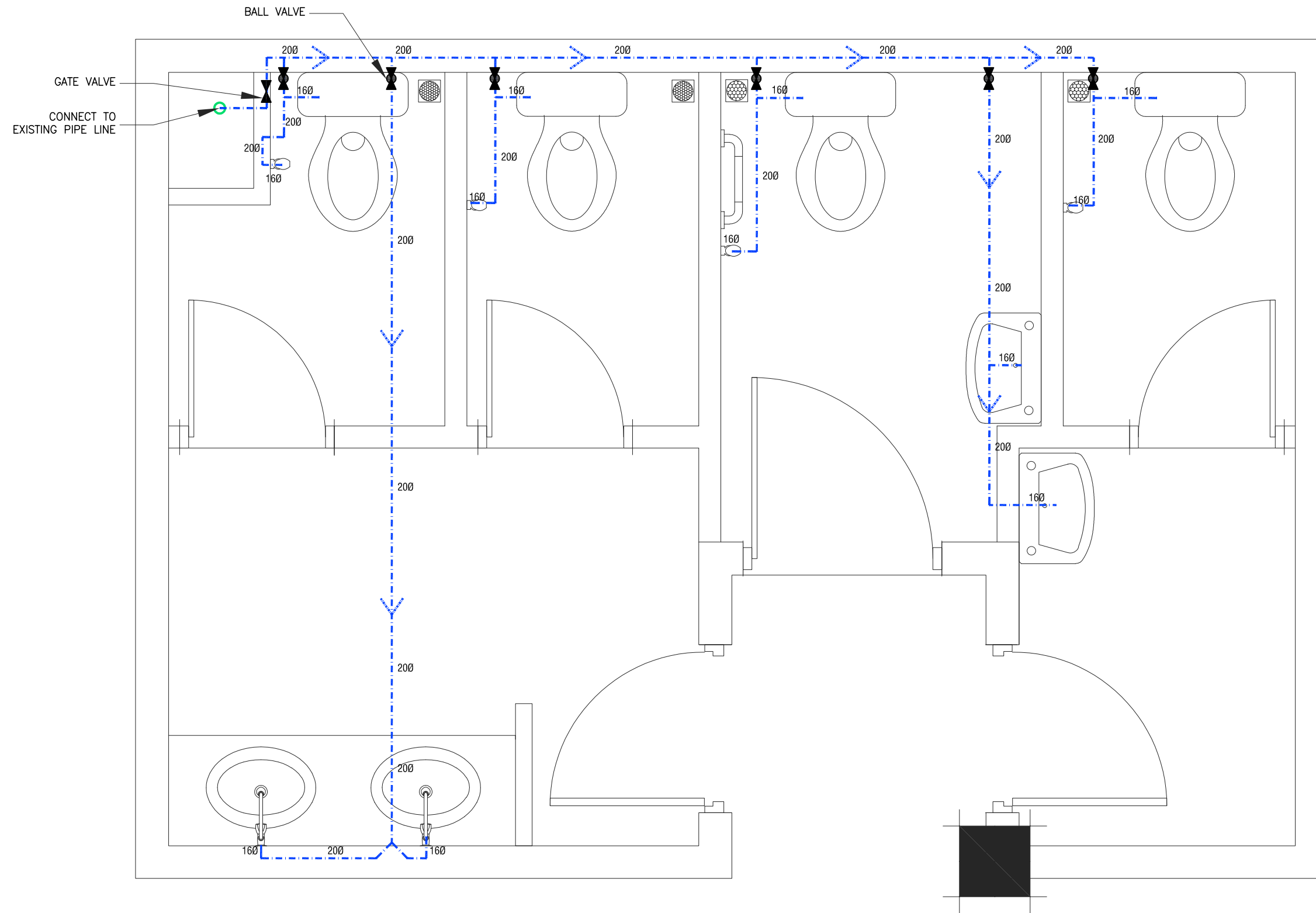
Project Title: PROPOSED PHLEBOTOMY
Location: GROUND FLOOR (Previous Dental & Blood Bank Area)

Designed by: <i>M. Naushad</i>	Revisions:
Drafting by: <i>M. Naushad & Husham</i>	10 February 2024
Date: 09 January 2024	
Scale: As Mentioned	
Print on: A3	

Remarks:

Projects Management Unit
 IGM Hospital / Kañbaa Aisarani Hingun
 Malé 20402 / Republic of Maldives
 The contractors must check all dimensions on site prior to the commencement of any work.






PATIENT TOILET DETAILS
FRESH WATER SUPPLY LAYOUT
 SCALE: 1:20

Checked & Approved By:	Name / Signature / Date:	Estate Department:	
CEFO:		IT Department:	
Head of Department:		Plumbing Section:	
Quality Control Department:		Electrical Section:	
Bio Medical Department:		AC Section:	


Project Title: PROPOSED PHLEBOTOMY
Location: GROUND FLOOR (Previous Dental & Blood Bank Area)

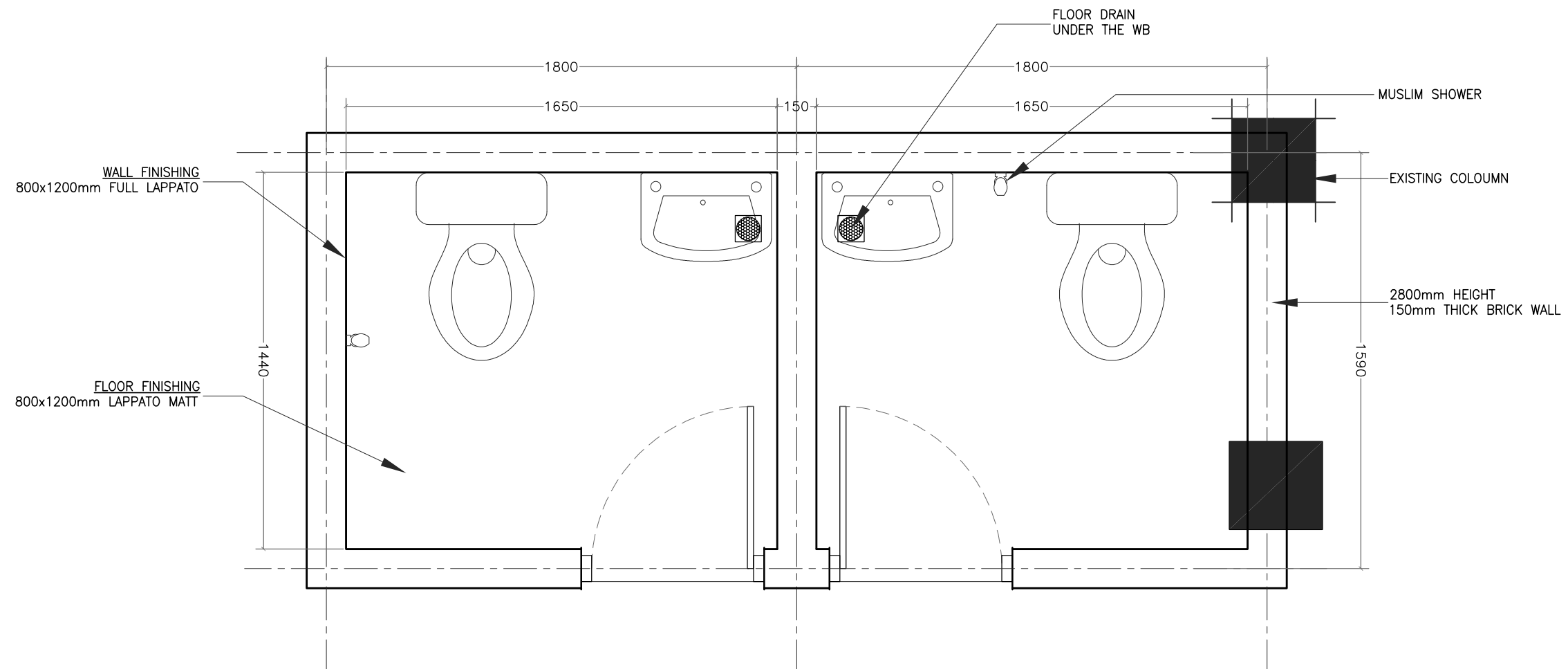
Designed by: <i>M. Naushad</i>	Revisions:
Drafting by: <i>M. Naushad & Husham</i>	10 February 2024
Date: 09 January 2024	
Scale: As Mentioned	
Print on: A3	

Remarks:

Projects Management Unit
 IGM Hospital / Kañbaa Aisarani Hingun
 Malé 20402 / Republic of Maldives

The contractors must check all dimensions on site prior to the commencement of any work.





NOTE:
CEILING MOUNTED EXHAUST FAN
TO ALL TOILETS

STAFF TOILET DETAILS
FLOOR PLAN
SCALE: 1:20

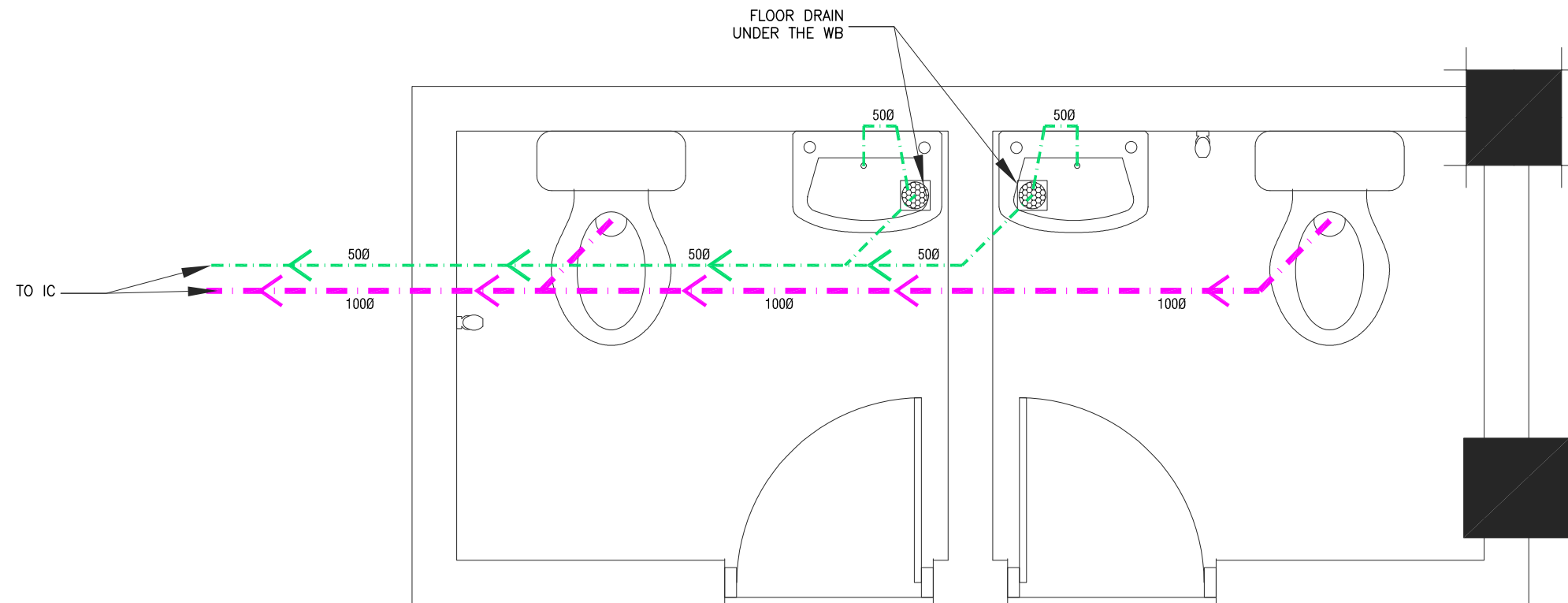
Checked & Approved By:	Name / Signature / Date:	Estate Department:	
CEFO:		IT Department:	
Head of Department:		Plumbing Section:	
Quality Control Department:		Electrical Section:	
Bio Medical Department:		AC Section:	

Project Title: PROPOSED PHLEBOTOMY
Location: GROUND FLOOR (Previous Dental & Blood Bank Area)

Designed by: <i>M. Naushad</i>	Revisions:	Remarks:
Drafting by: <i>M. Naushad & Husham</i>	10 February 2024	
Date: 09 January 2024		
Scale: As Mentioned		
Print on: A3		

Projects Management Unit IGM Hospital / Kañbaa Aisarani Hingun Malé 20402 / Republic of Maldives
The contractors must check all dimensions on site prior to the commencement of any work.





STAFF TOILET DETAILS
DRAINAGE LAYOUT
 SCALE: 1:20

Checked & Approved By:	Name / Signature / Date:	Estate Department:	
CEFO:		IT Department:	
Head of Department:		Plumbing Section:	
Quality Control Department:		Electrical Section:	
Bio Medical Department:		AC Section:	

Project Title: PROPOSED PHLEBOTOMY
Location: GROUND FLOOR (Previous Dental & Blood Bank Area)

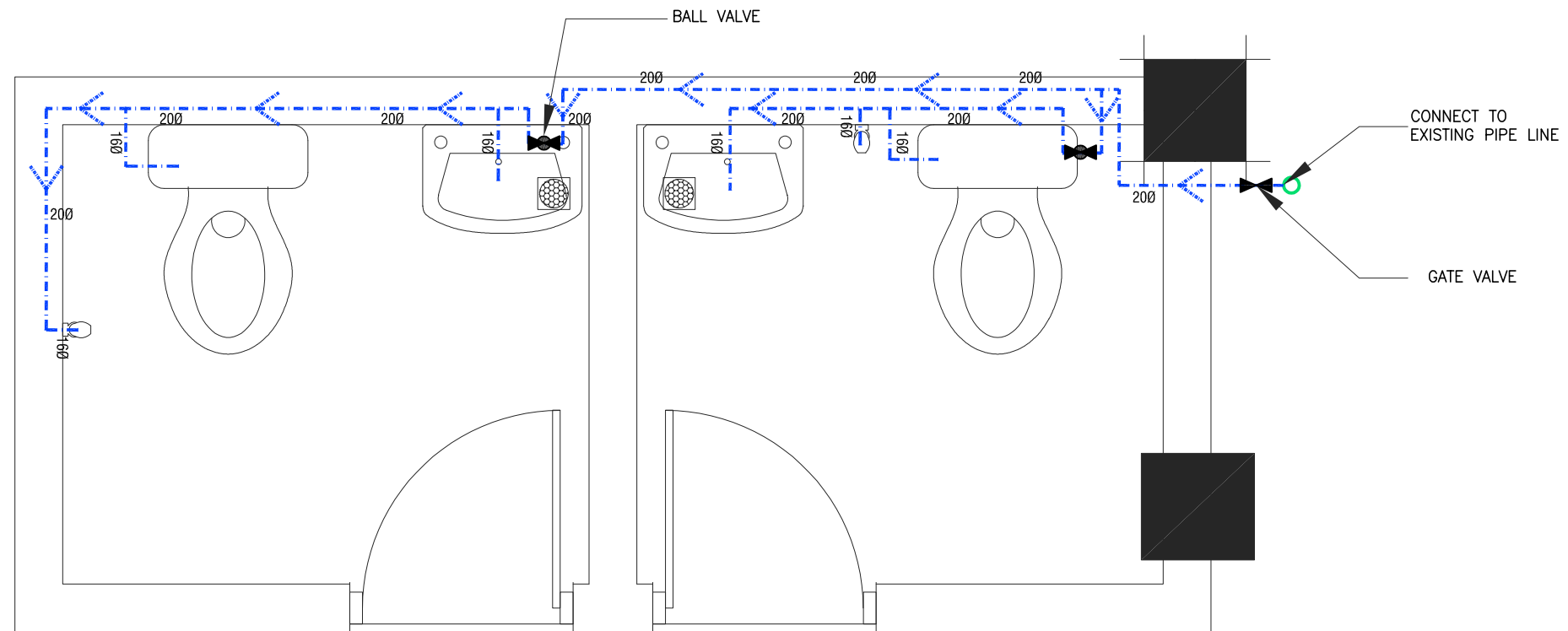
Designed by: <i>M. Naushad</i>	Revisions:
Drafting by: <i>M. Naushad & Husham</i>	10 February 2024
Date: 09 January 2024	
Scale: As Mentioned	
Print on: A3	

Remarks:

Projects Management Unit
 IGM Hospital / Kañbaa Aisarani Hingun
 Malé 20402 / Republic of Maldives

The contractors must check all dimensions on site prior to the commencement of any work.






STAFF TOILET DETAILS
FRESH WATER SUPPLY LAYOUT
 SCALE: 1:20

Checked & Approved By:	Name / Signature / Date:	Estate Department:	
CEFO:		IT Department:	
Head of Department:		Plumbing Section:	
Quality Control Department:		Electrical Section:	
Bio Medical Department:		AC Section:	

Project Title: PROPOSED PHLEBOTOMY
Location: GROUND FLOOR (Previous Dental & Blood Bank Area)

Designed by: <i>M. Naushad</i> Drafting by: <i>M. Naushad & Husham</i> Date: 09 January 2024 Scale: As Mentioned Print on: A3	Revisions: 10 February 2024
--	---------------------------------------

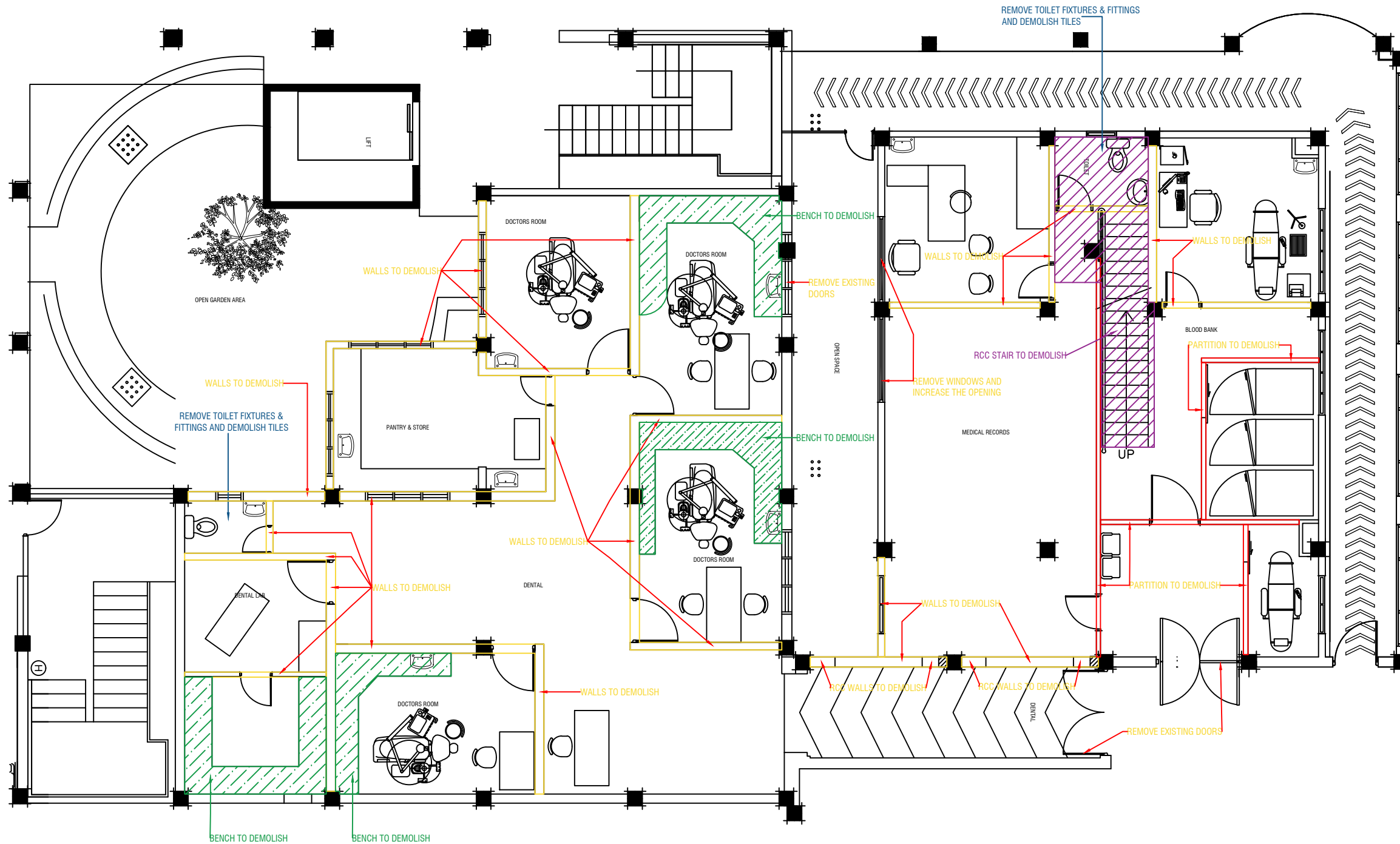
Remarks:

Projects Management Unit
 IGM Hospital / Kañbaa Aisarani Hingun
 Malé 20402 / Republic of Maldives
 The contractors must check all dimensions on site prior to the commencement of any work.



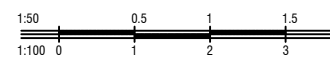
WARNING:
- This drawing shall not be used for construction unless certified.
- Contractor to verify all dimensions of existing works on site before commencing any work or preparing shop drawings.
- Do not scale drawings, use written dimensions only.
- This drawing is to be read in conjunction with the specifications and conditions of contract.
- This drawing and design is copyright and no portion may be reproduced without the permission of the MACO architects

A2



DEMOLITION PLAN

SCALE = 1:100



CLIENT:

IGMH

PROJECT:

IGMH
PHLEBOTOMY
AREA
K. MALE

INTERIOR DESIGNERS:

HASSAN

FATHIMA

ZUHA

MAHA

SCALE: AS GIVEN

DRWNG TITLE : AS GIVN

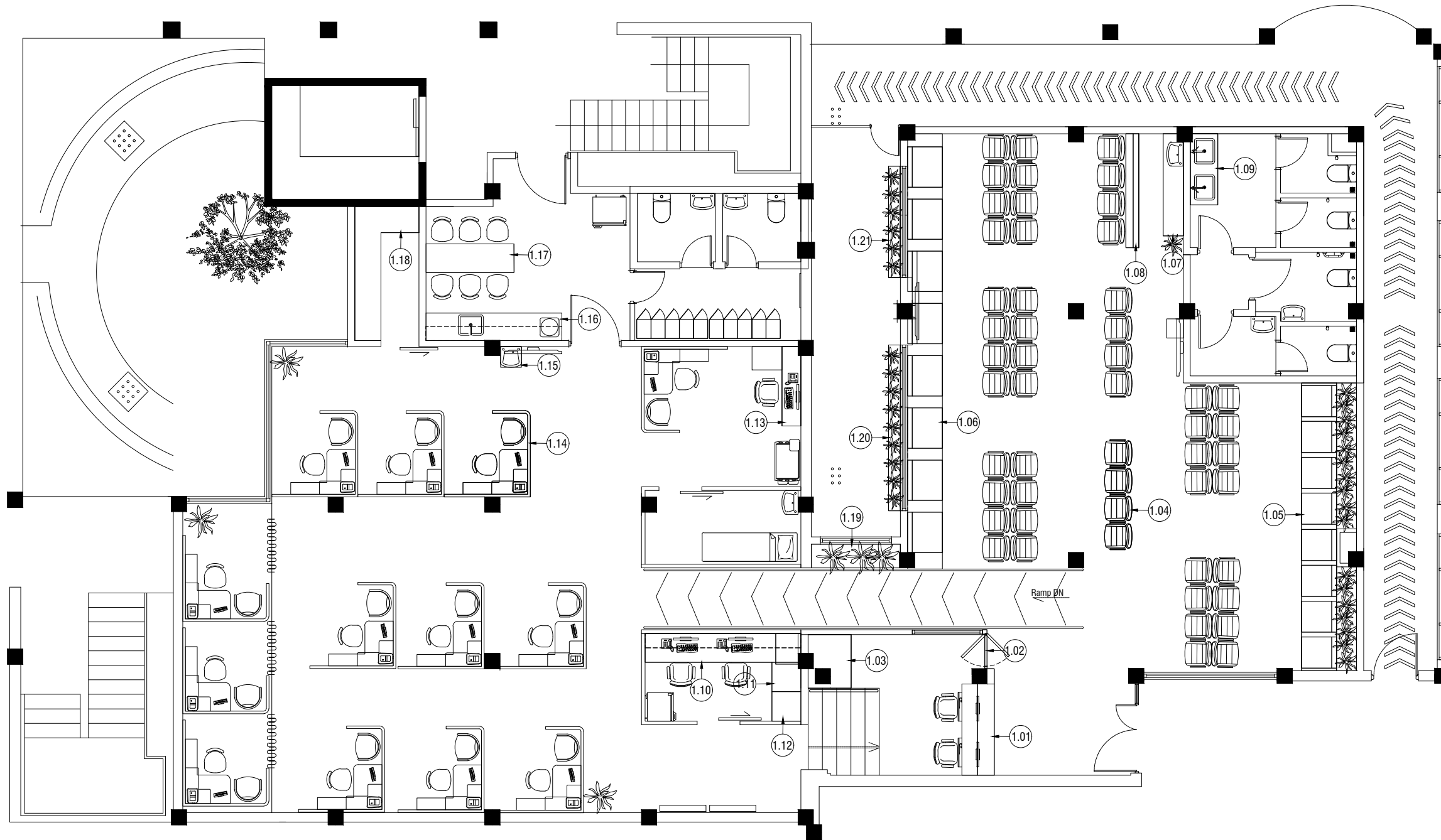
DATE: D25M02Y26

REVISION NO.: 00

FILE NAME:
\\DLINK-031BBD\Volume_1\MACO
PROJECTS\2026

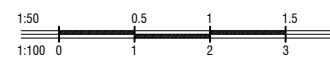
WARNING:
- This drawing shall not be used for construction unless certified.
- Contractor to verify all dimensions of existing works on site before commencing any work or preparing shop drawings.
- Do not scale drawings, use written dimensions only.
- This drawing is to be read in conjunction with the specifications and conditions of contract.
- This drawing and design is copyright and no portion may be reproduced without the permission of the MACO architects

A3



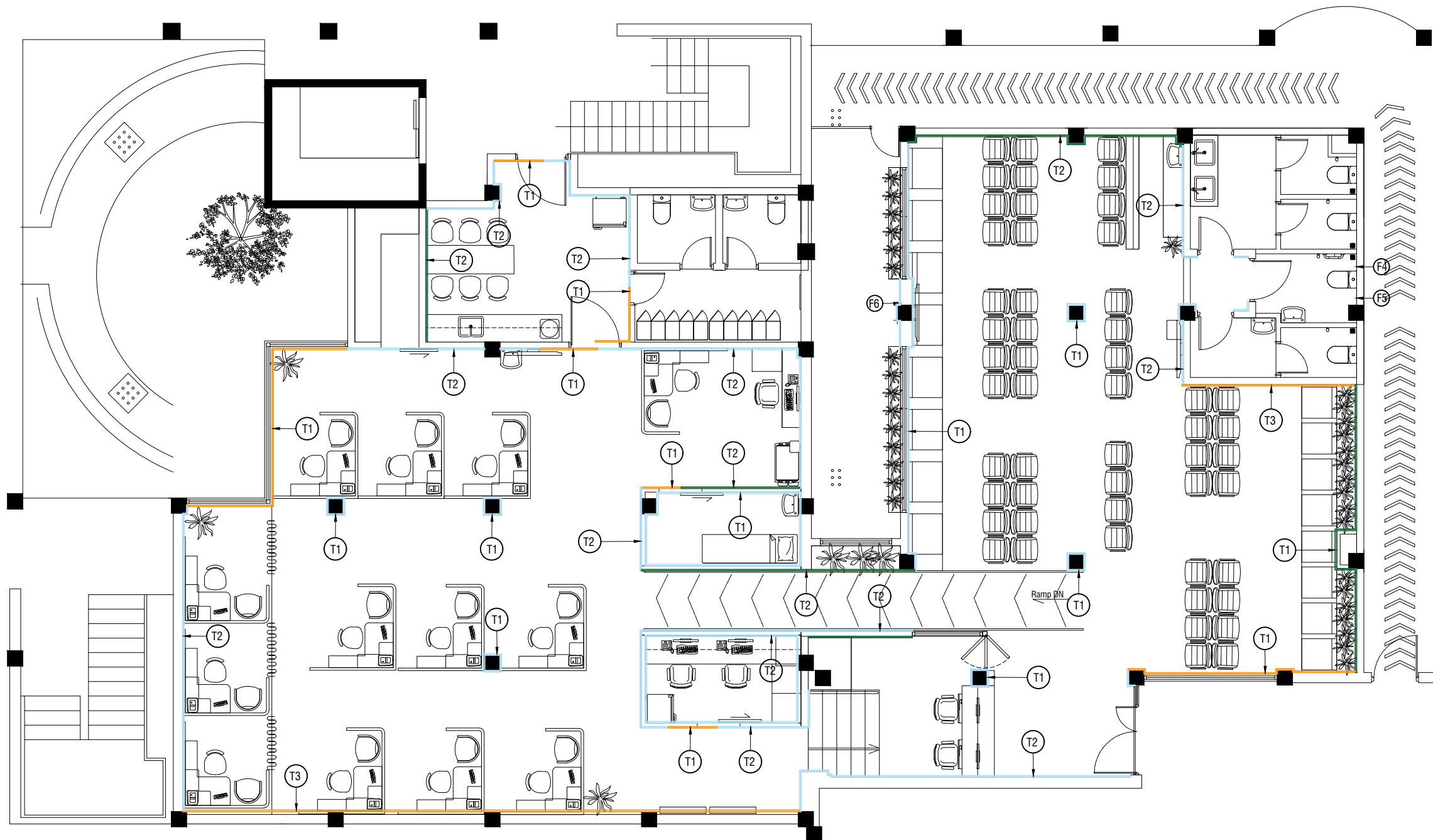
FURNITURE PLAN

SCALE = 1:100



WALL PANEL LEGEND	
CODE	TYPE
T1	PLAIN WALL PANEL
T2	GROOVED WALL PANEL
T3	FLUTED GROOVED WALL PANEL

LEGEND	
HATCH	FINISH
	LIGHT BEIGE (SEMI GLOSS)
	SAGE GREEN (SEMI GLOSS)
	MEDIUM WOOD TONE (MATTE)
F4	300MM X 600MM WALL TILES
F5	100MM X 300MM WALL TILES
F6	300MM X 300MM WALL TILES



MACO
DESIGNS

Contact: 7989966, 7691671
Email: info@maco.mv

CLIENT:

IGMH

PROJECT:

IGMH
PHLEBOTOMY
AREA
K. MALE

INTERIOR DESIGNERS:

HASSAN

FATHIMA

ZUHA

MAHA

SCALE: AS GIVEN

DRWNG TITLE : AS GIVN

DATE: D25M02Y26

REVISION NO.: 00

FILE NAME:

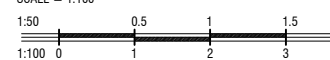
\\DLINK-031BBD\Volume_1\MACO
PROJECTS\2026

WARNING:

- This drawing shall not be used for construction unless certified.
- Contractor to verify all dimensions of existing works on site before commencing any work or preparing shop drawings.
- Do not scale drawings, use written dimensions only.
- This drawing is to be read in conjunction with the specifications and conditions of contract.
- This drawing and design is copyright and no portion may be reproduced without the permission of the MACO architects

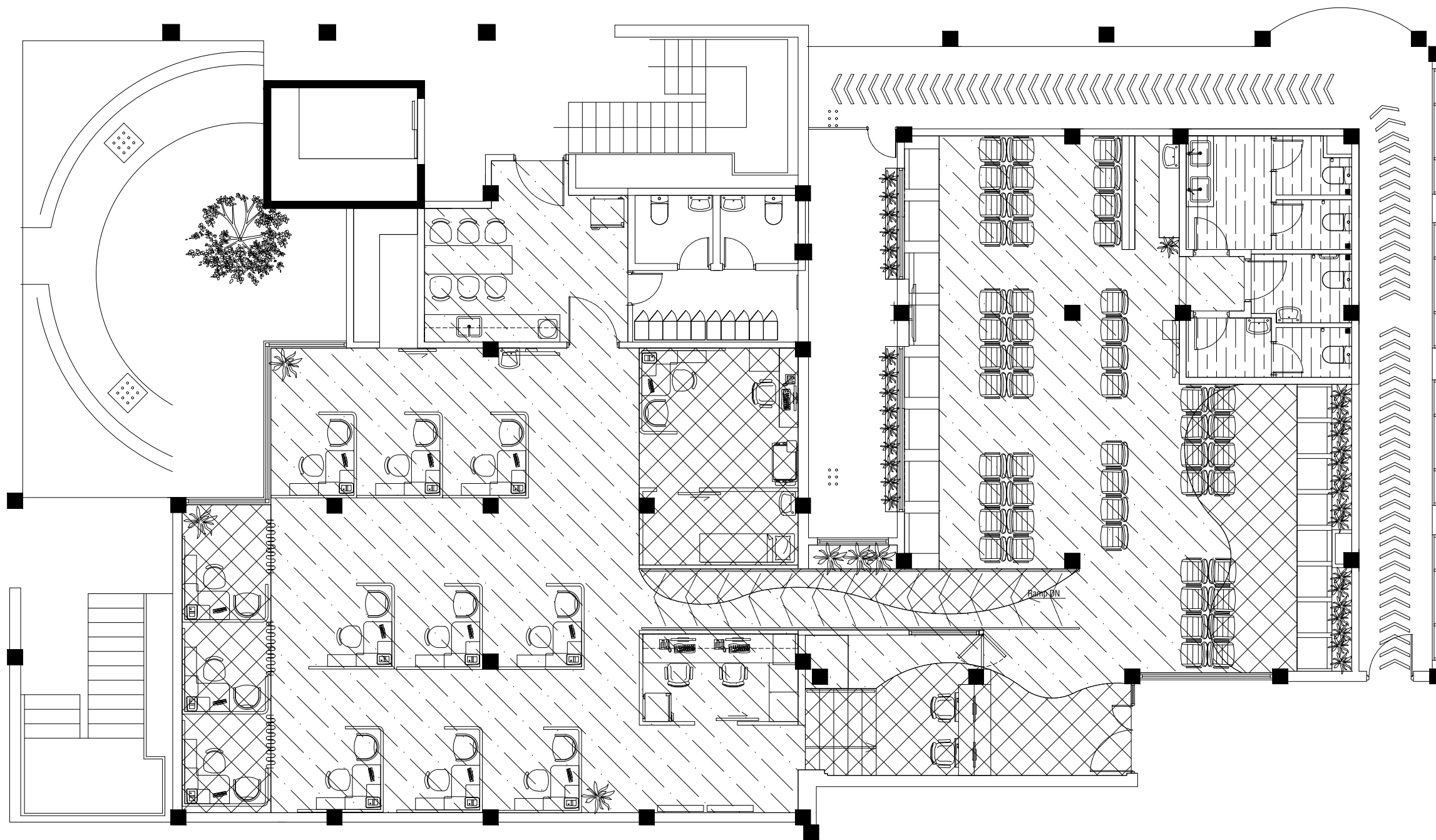
WALL FINISH PLAN

SCALE = 1:100



A4

LEGEND		
SYMBOL	HATCH	FINISH
①		PVC VINYL FLOORING (WHITE)
②		PVC VINYL FLOORING (GREEN)
③		600MM X 600MM FLOOR TILES



MACO
DESIGNS

Contact: 7989966, 7691671
Email: info@maco.mv

CLIENT:

IGMH

PROJECT:

IGMH
PHLEBOTOMY
AREA
K. MALE

INTERIOR DESIGNERS:

HASSAN

FATHIMA

ZUHA

MAHA

SCALE: AS GIVEN

DRWNG TITLE : AS GIVN

DATE: D25M02Y26

REVISION NO.: 00

FILE NAME:

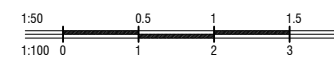
\\DLINK-031BBD\Volume_1\MACO
PROJECTS\2026

WARNING:

- This drawing shall not be used for construction unless certified.
- Contractor to verify all dimensions of existing works on site before commencing any work or preparing shop drawings.
- Do not scale drawings, use written dimensions only.
- This drawing is to be read in conjunction with the specifications and conditions of contract.
- This drawing and design is copyright and no portion may be reproduced without the permission of the MACO architects

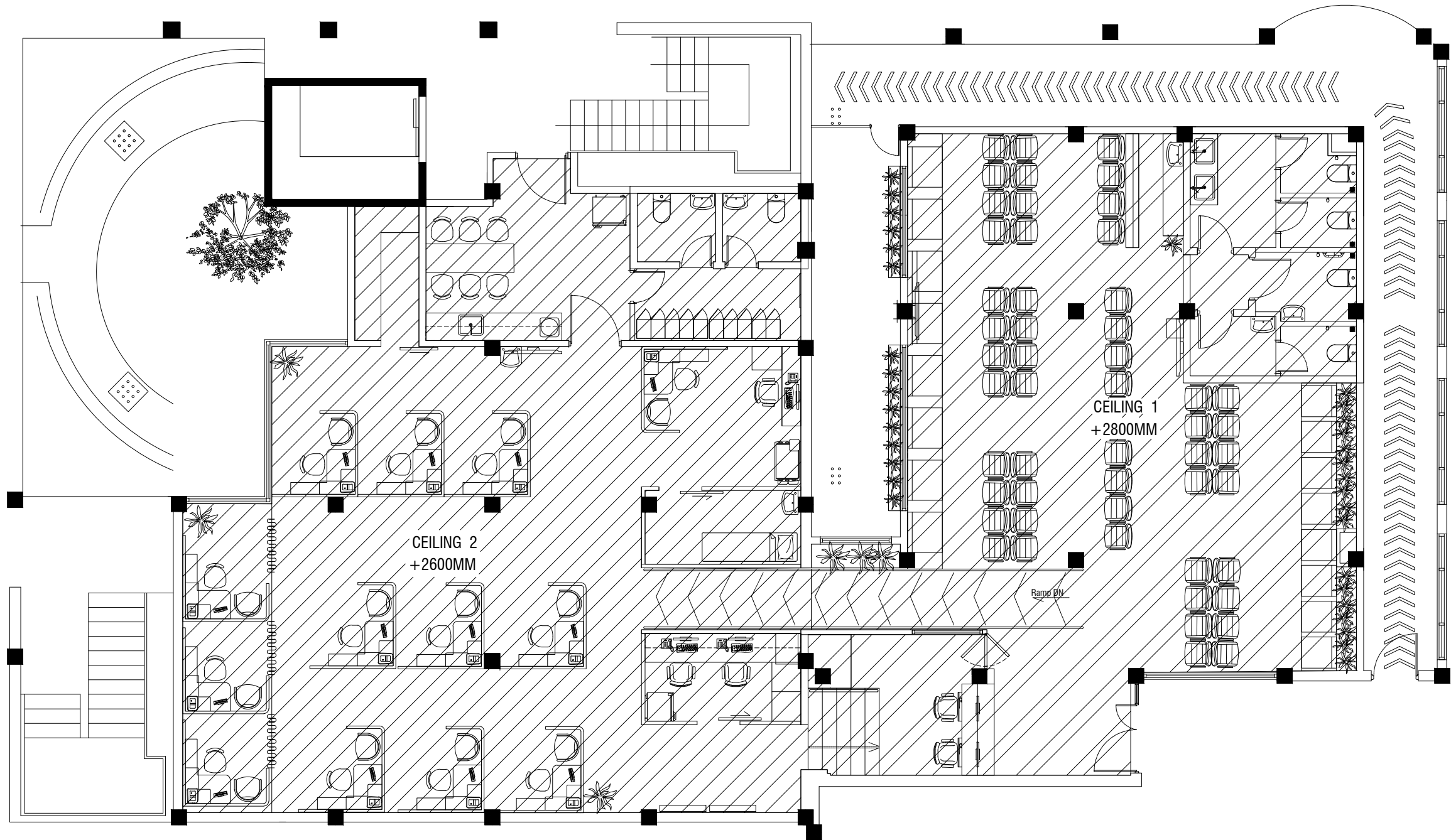
FLOOR FINISH PLAN

SCALE = 1:100



A5

LEGEND			
NAME	HATCH	SPECIFICATION	FINISH
CEILING 1		+2800MM FROM FFL	MATTE LIGHT BEIGE
CEILING 2		+2600MM FROM FFL	MATTE LIGHT BEIGE



Contact: 7989966, 7691671
Email: info@maco.mv

CLIENT:

IGMH

PROJECT:

IGMH
PHLEBOTOMY
AREA
K. MALE

INTERIOR DESIGNERS:

HASSAN

FATHIMA

ZUHA

MAHA

SCALE: AS GIVEN

DRWNG TITLE : AS GIVN

DATE: D25M02Y26

REVISION NO.: 00

FILE NAME:
\\DLINK-031BBD\Volume_1\MACO
PROJECTS\2026

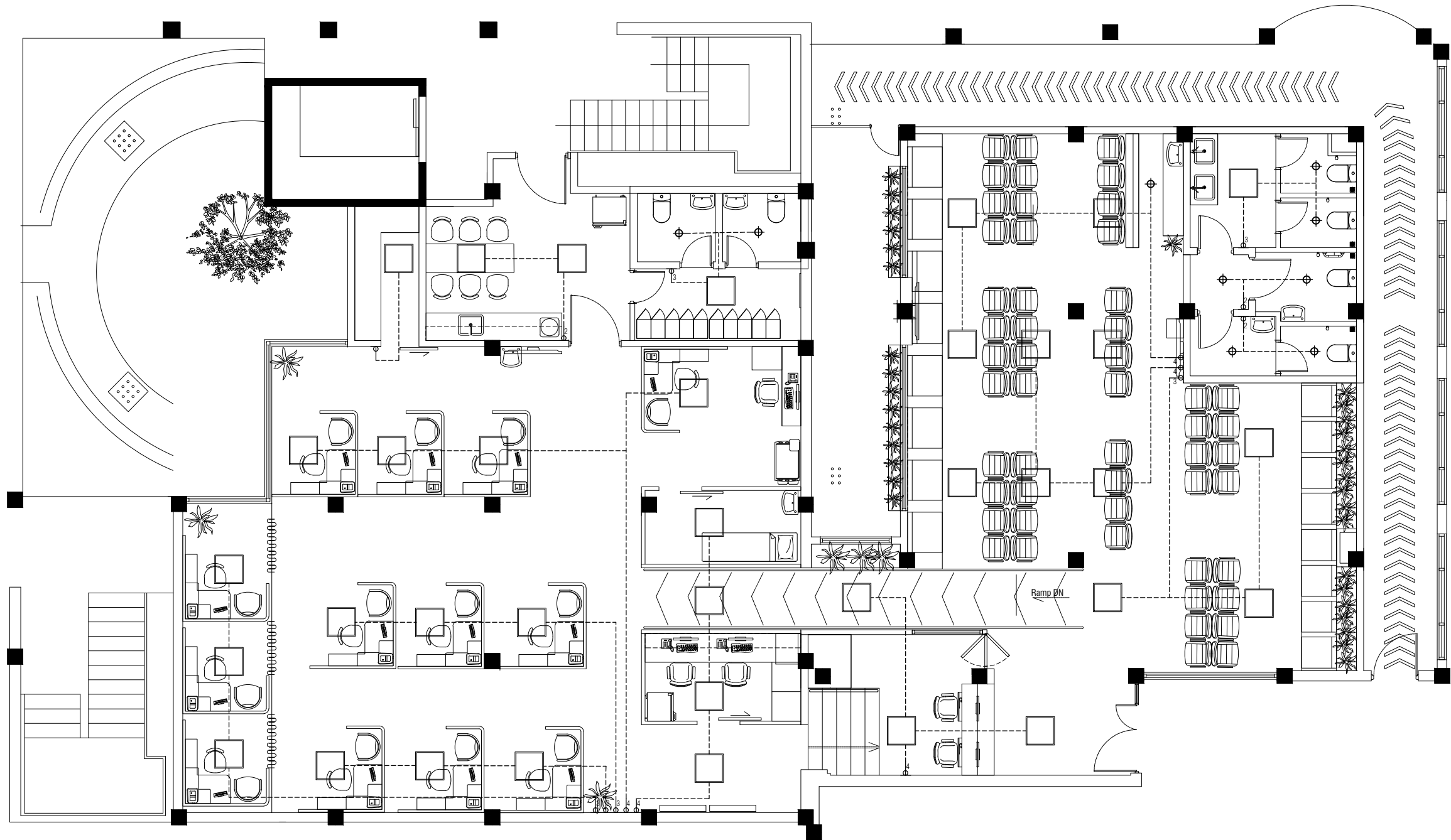
WARNING:
- This drawing shall not be used for construction unless certified.
- Contractor to verify all dimensions of existing works on site before commencing any work or preparing shop drawings.
- Do not scale drawings, use written dimensions only.
- This drawing is to be read in conjunction with the specifications and conditions of contract.
- This drawing and design is copyright and no portion may be reproduced without the permission of the MACO architects

CEILING PLAN

SCALE = 1:100



A6



Contact: 7989966, 7691671
 Email: info@maco.mv

CLIENT:
 IGMH

PROJECT:
 IGMH
 PHLEBOTOMY
 AREA
 K. MALE

INTERIOR DESIGNERS:
 HASSAN
 FATHIMA
 ZUHA
 MAHA

SCALE: AS GIVEN

DRWNG TITLE : AS GIVN

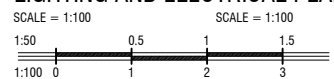
DATE: D25M02Y26

REVISION NO.: 00

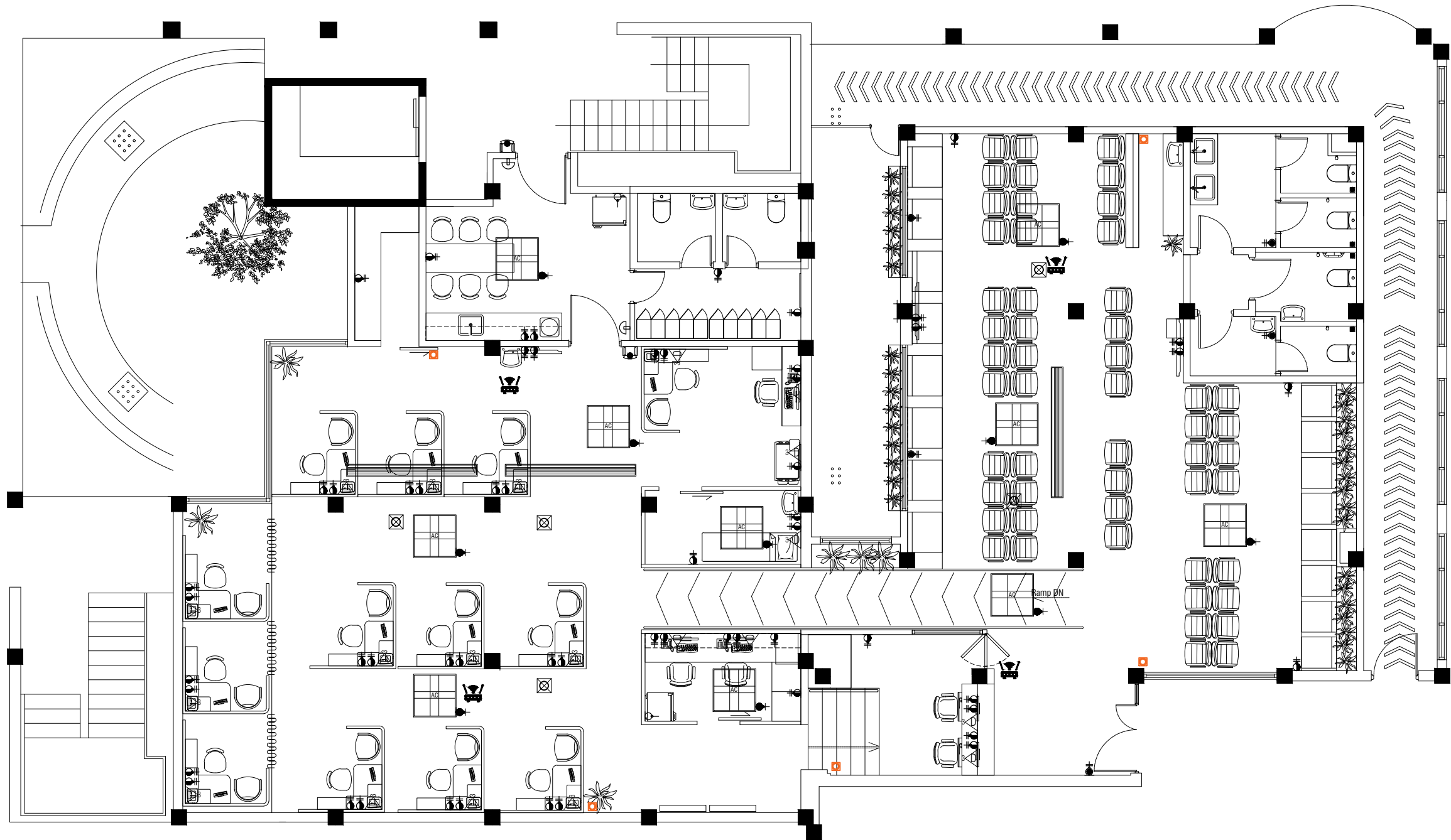
FILE NAME:
 \DLINK-031BBD\Volume_1\MACO
 PROJECTS\2026

WARNING:
 - This drawing shall not be used for construction unless certified.
 - Contractor to verify all dimensions of existing works on site before commencing any work or preparing shop drawings.
 - Do not scale drawings, use written dimensions only.
 - This drawing is to be read in conjunction with the specifications and conditions of contract.
 - This drawing and design is copyright and no portion may be reproduced without the permission of the MACO architects

LIGHTING AND ELECTRICAL PLAN

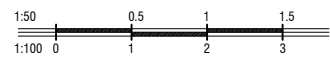


A7



NETWORK, DATA & POWER PLAN

SCALE = 1:100



Contact: 7989966, 7691671

Email: info@maco.mv

CLIENT:

IGMH

PROJECT:

IGMH
PHLEBOTOMY
AREA
K. MALE

INTERIOR DESIGNERS:

HASSAN

FATHIMA

ZUHA

MAHA

SCALE: AS GIVEN

DRWNG TITLE : AS GIVN

DATE: D25M02Y26

REVISION NO.: 00

FILE NAME:

\\DLINK-031BBD\Volume_1\MACO
PROJECTS\2026

WARNING:

- This drawing shall not be used for construction unless certified.
- Contractor to verify all dimensions of existing works on site before commencing any work or preparing shop drawings.
- Do not scale drawings, use written dimensions only.
- This drawing is to be read in conjunction with the specifications and conditions of contract.
- This drawing and design is copyright and no portion may be reproduced without the permission of the MACO architects

A8

ELECTRICAL LEGEND:

SYMBOL	DESCRIPTION
	ONE GANG SWITCH @ 1200 MM FROM FFL
	TWO GANG SWITCH @ 1200 MM FROM FFL
	THREE GANG SWITCH @ 1200 MM FROM FFL
	FOUR GANG SWITCH @ 1200 MM FROM FFL
	FAN DIMMER SWITCH @ 1200 MM FROM FFL
	LIGHT DIMMER SWITCH @ 1200 MM FROM FFL
	HEATER SWITCH @ 1200 MM FROM FFL
	13 AMP SOCKET @ 300 MM FROM FFL
	13 AMP DOUBLE SOCKET @ 300 MM FROM FFL
	13 AMP SOCKET @ 1200 MM FROM FFL
	13 AMP DOUBLE SOCKET @ CEILING LEVEL
	13 AMP DOUBLE SOCKET @ 1000 MM FROM FFL
	15 AMP SOCKET @ 1800 MM FROM FFL
	15 AMP SOCKET @ CEILING LEVEL
	1 X 2 DATA OUTLET @ 1000MM FROM FFL
	1 X 3 DATA OUTLET @ 1000MM FROM FFL
	ACCESS CONTROLLER SYSTEM @ 1200 MM FROM FFL
	EXIT SWITCH
	CCTV CAMERA (DOME) @ CEILING LEVEL
	CABLE TV SOCKET OUTLET @ 300 MM FROM FFL
	DISTRIBUTION BOARD
W	WEATHER PROOF
AC	AIR-CONDITIONER
WH	WATER HEATER (TOILETS)
E	EMERGENCY LIGHT
	TOILET MIRROR F-TUBE LIGHT @ 1800 MM FROM FFL (WEATHER PROOF)
	WIFI POINT @ CEILING LEVEL
	150 MM Ø RECESSED CEILING DOWN LIGHT
	600MM X 600MM CEILING RESIST LED LIGHT
	CEILING MOUNT EXHAUST FAN CONTROLLED FROM LIGHT SWITCH
	CASSETTE AIR CONDITION INDOOR UNIT
	CEILING MOUNT FRESH AIR INLET GRILL CONTROLLED FROM LIGHT SWITCH

NOTE: DETAILED ELECTRICAL SYSTEM TO BE DESIGNED BY THE CONTRACTOR

MACO
DESIGNS

Contact: 7989966, 7691671

Email: info@maco.mv

CLIENT:

IGMH

PROJECT:

**IGMH
PHLEBOTOMY
AREA
K. MALE**

INTERIOR DESIGNERS:

HASSAN

FATHIMA

ZUHA

MAHA

SCALE: AS GIVEN

DRWNG TITLE : AS GIVN

DATE: D25M02Y26

REVISION NO.: 00

FILE NAME:

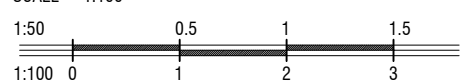
\\DLINK-031BBD\Volume_1\MACO
PROJECTS\2026

WARNING:

- This drawing shall not be used for construction unless certified.
- Contractor to verify all dimensions of existing works on site before commencing any work or preparing shop drawings.
- Do not scale drawings, use written dimensions only.
- This drawing is to be read in conjunction with the specifications and conditions of contract.
- This drawing and design is copyright and no portion may be reproduced without the permission of the MACO architects

LEGEND

SCALE = 1:100



A9

DOOR LABEL	FG1	FG2	SG1	SG2
FFL				
DESCRIPTION	FIXED GLASS FRAME=ALUM+PANEL=GLASS IRONMONGERY = S.S	FIXED GLASS FRAME=ALUM+PANEL=GLASS IRONMONGERY = S.S	SLIDING GLASS FRAME=ALUM+PANEL=GLASS IRONMONGERY = S.S	SLIDING GLASS FRAME=ALUM+PANEL=GLASS IRONMONGERY = S.S

DOOR LABEL	FG3	FG4	FG5	FG6
FFL				
DESCRIPTION	FIXED GLASS FRAME=ALUM+PANEL=GLASS IRONMONGERY = S.S	FIXED GLASS FRAME=ALUM+PANEL=GLASS IRONMONGERY = S.S	FIXED GLASS FRAME=ALUM+PANEL=GLASS IRONMONGERY = S.S	FIXED GLASS FRAME=ALUM+PANEL=GLASS IRONMONGERY = S.S



Contact: 7989966, 7691671
Email: info@maco.mv

CLIENT:

IGMH

PROJECT:

IGMH
PHLEBOTOMY
AREA
K. MALE

INTERIOR DESIGNERS:

HASSAN

FATHIMA

ZUHA

MAHA

SCALE: AS GIVEN

DRWNG TITLE : AS GIVN

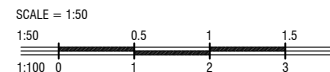
DATE: D25M02Y26

REVISION NO.: 00

FILE NAME:
\\DLINK-031BBD\Volume_1\MACO
PROJECTS\2026

WARNING:
- This drawing shall not be used for construction unless certified.
- Contractor to verify all dimensions of existing works on site before commencing any work or preparing shop drawings.
- Do not scale drawings, use written dimensions only.
- This drawing is to be read in conjunction with the specifications and conditions of contract.
- This drawing and design is copyright and no portion may be reproduced without the permission of the MACO architects

INTERIOR DOOR WINDOW SCHEDULE



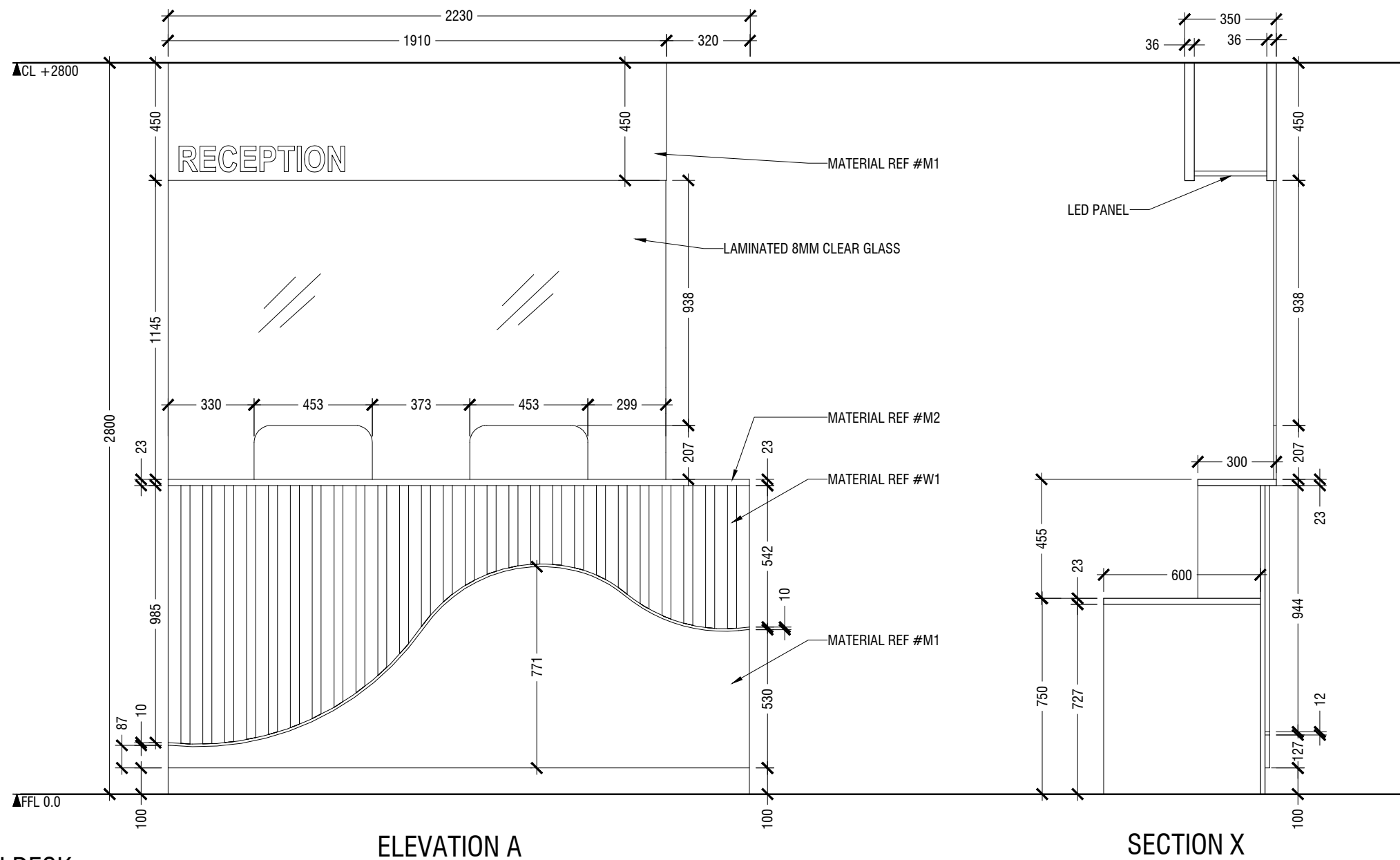
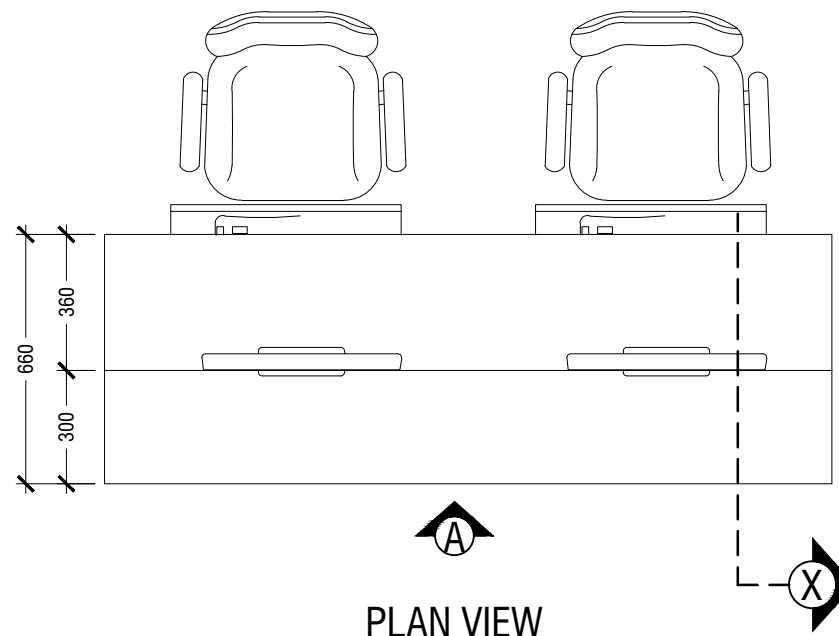
A10

NOTE

- CL = CEILING LINE
- DCL = DROP CEILING LINE
- FFL = FLOOR FINISH LINE

*FINAL DIMENSIONS ARE SUBJECT TO CHANGE DEPENDING ON CONTRACTORS ADJUSTMENTS ON SITE

*SLANTED WALL ALIGNMENT TO BE CONFIRMED ON SITE



MACO

DESIGNS

Contact: 7989966, 7691671

Email: info@maco.mv

CLIENT:

IGMH

PROJECT:

IGMH
PHLEBOTOMY
AREA
K. MALE

INTERIOR DESIGNERS:

HASSAN

FATHIMA

ZUHA

MAHA

SCALE: AS GIVEN

DRWNG TITLE : AS GIVN

DATE: D25M02Y26

REVISION NO.: 00

FILE NAME:

\\DLINK-031BBD\Volume_1\MACO PROJECTS\2026

WARNING:

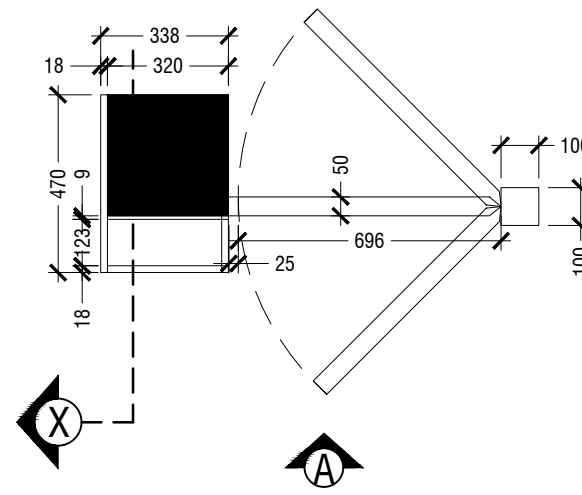
- This drawing shall not be used for construction unless certified.
- Contractor to verify all dimensions of existing works on site before commencing any work or preparing shop drawings.
- Do not scale drawings, use written dimensions only.
- This drawing is to be read in conjunction with the specifications and conditions of contract.
- This drawing and design is copyright and no portion may be reproduced without the permission of the MACO architects

1.01 RECEPTION DESK
LOCATION "ENTRY WAY"
SCALE 1:20

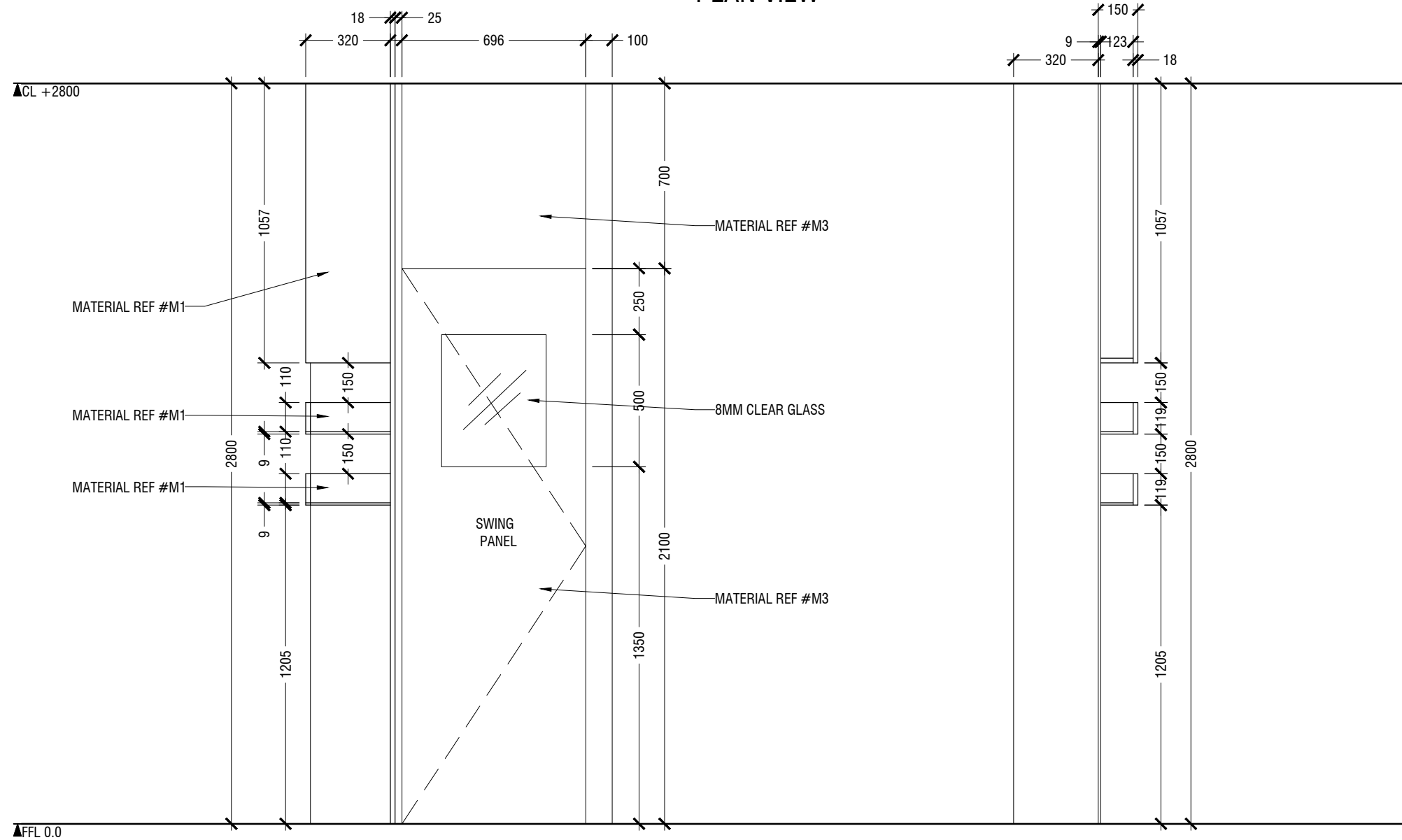
ID01

NOTE

- CL = CEILING LINE
- DCL = DROP CEILING LINE
- FFL = FLOOR FINISH LINE



PLAN VIEW



ELEVATION A

SECTION X

*FINAL DIMENSIONS ARE SUBJECT TO CHANGE DEPENDING ON CONTRACTORS ADJUSTMENTS ON SITE

*SLANTED WALL ALIGNMENT TO BE CONFIRMED ON SITE

MACO

DESIGNS

Contact: 7989966, 7691671

Email: info@maco.mv

CLIENT:

IGMH

PROJECT:

IGMH
PHLEBOTOMY
AREA
K. MALE

INTERIOR DESIGNERS:

HASSAN

FATHIMA

ZUHA

MAHA

SCALE: AS GIVEN

DRWNG TITLE : AS GIVN

DATE: D25M02Y26

REVISION NO.: 00

FILE NAME:

\\DLINK-031BBD\Volume_1\MACO
PROJECTS\2026

WARNING:

- This drawing shall not be used for construction unless certified.
- Contractor to verify all dimensions of existing works on site before commencing any work or preparing shop drawings.
- Do not scale drawings, use written dimensions only.
- This drawing is to be read in conjunction with the specifications and conditions of contract.
- This drawing and design is copyright and no portion may be reproduced without the permission of the MACO architects

1.02 SAMPLE COLLECTION AND STAFF ENTRY DOOR
LOCATION "RECEPTION"
SCALE 1:20

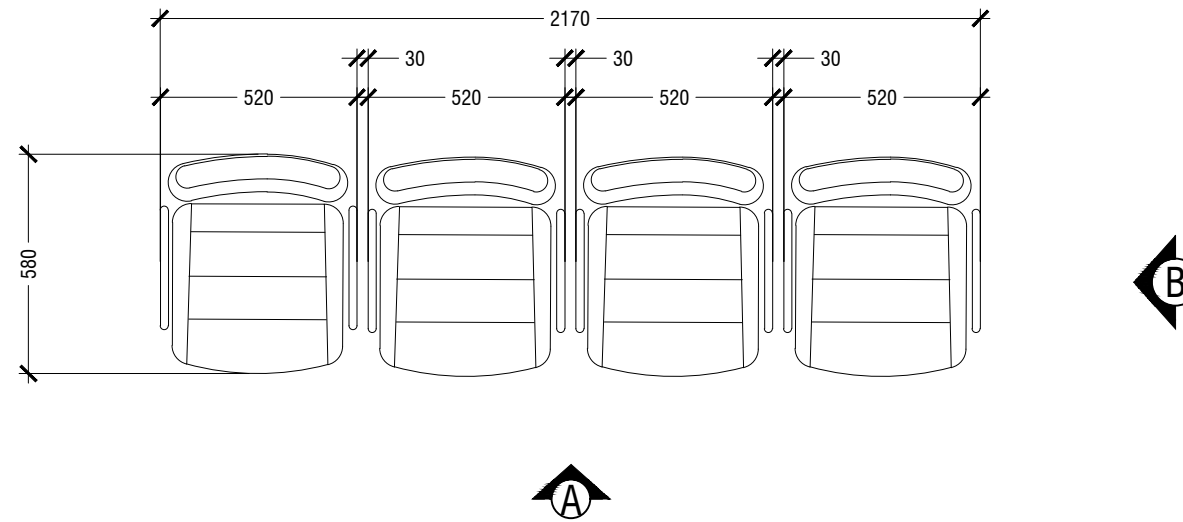
ID02

NOTE

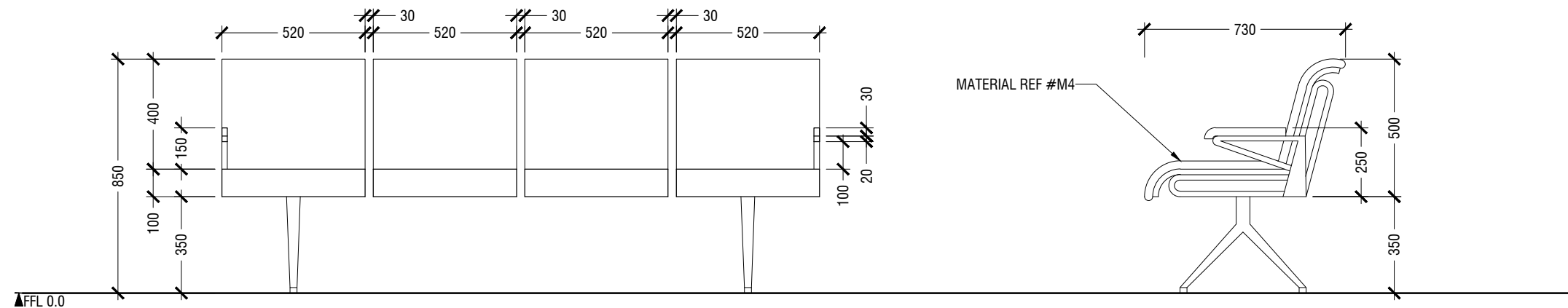
- CL = CEILING LINE
- DCL = DROP CEILING LINE
- FFL = FLOOR FINISH LINE

*FINAL DIMENSIONS ARE SUBJECT TO CHANGE DEPENDING ON CONTRACTORS ADJUSTMENTS ON SITE

*SLANTED WALL ALIGNMENT TO BE CONFIRMED ON SITE



PLAN VIEW



ELEVATION A

ELEVATION B

MACO

DESIGNS

Contact: 7989966, 7691671

Email: info@maco.mv

CLIENT:

IGMH

PROJECT:

**IGMH
PHLEBOTOMY
AREA
K. MALE**

INTERIOR DESIGNERS:

HASSAN

FATHIMA

ZUHA

MAHA

SCALE: AS GIVEN

DRWNG TITLE : AS GIVN

DATE: D25M02Y26

REVISION NO.: 00

FILE NAME:

\\DLINK-031BBD\Volume_1\MACO PROJECTS\2026

WARNING:

- This drawing shall not be used for construction unless certified.
- Contractor to verify all dimensions of existing works on site before commencing any work or preparing shop drawings.
- Do not scale drawings, use written dimensions only.
- This drawing is to be read in conjunction with the specifications and conditions of contract.
- This drawing and design is copyright and no portion may be reproduced without the permission of the MACO architects

1.04 BENCH CHAIR
LOCATION "WAITING ROOM"
SCALE 1:20

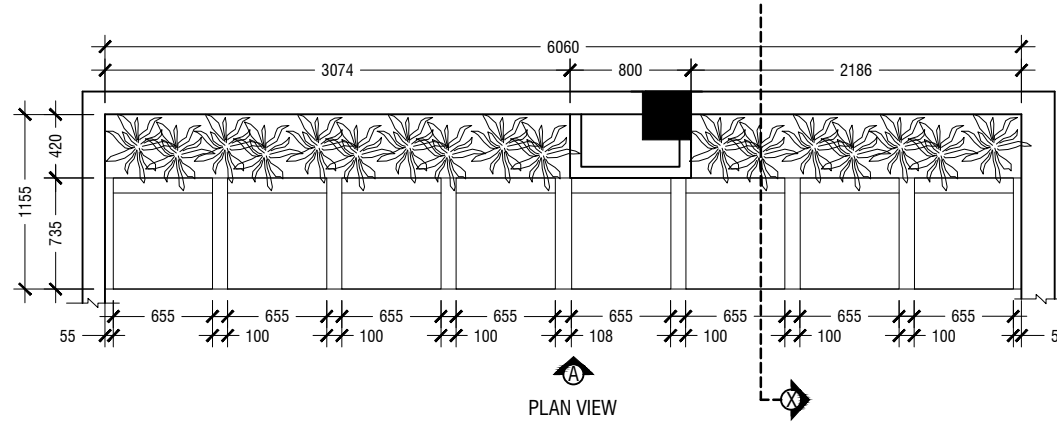
ID04

NOTE

- CL = CEILING LINE
- DCL = DROP CEILING LINE
- FFL = FLOOR FINISH LINE

*FINAL DIMENSIONS ARE SUBJECT TO CHANGE DEPENDING ON CONTRACTORS ADJUSTMENTS ON SITE

*SLANTED WALL ALIGNMENT TO BE CONFIRMED ON SITE



PLAN VIEW



Contact: 7989966, 7691671

Email: info@maco.mv

CLIENT:

IGMH

PROJECT:

IGMH
PHLEBOTOMY
AREA
K. MALE

INTERIOR DESIGNERS:

HASSAN

FATHIMA

ZUHA

MAHA

SCALE: AS GIVEN

DRWNG TITLE : AS GIVN

DATE: D25M02Y26

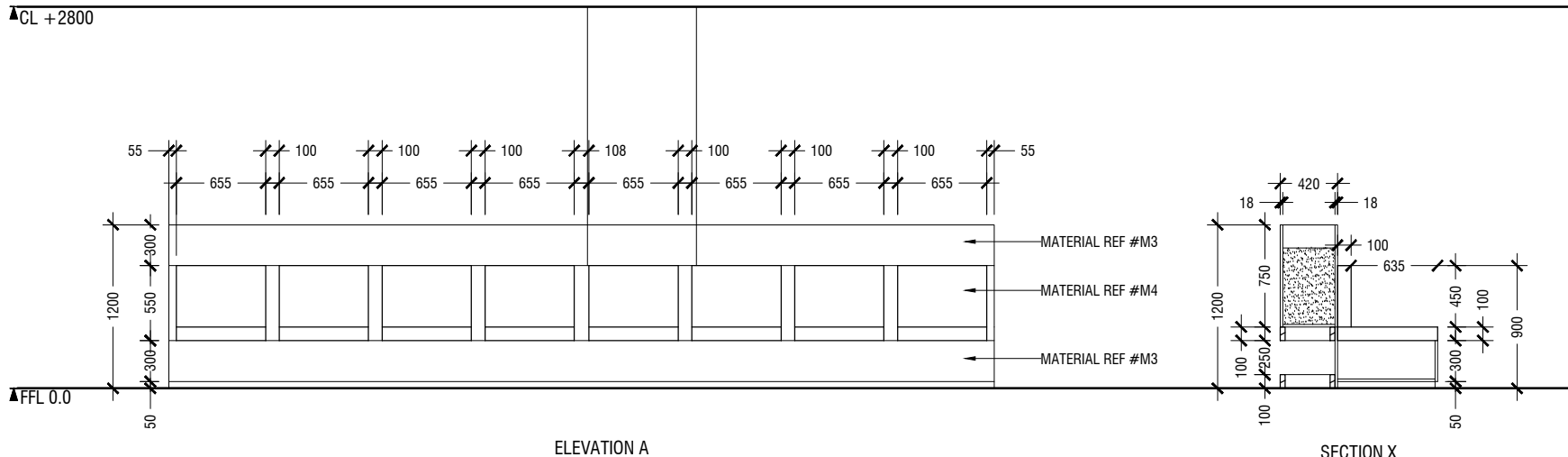
REVISION NO.: 00

FILE NAME:

\\DLINK-031BBD\Volume_1\MACO
PROJECTS\2026

WARNING:

- This drawing shall not be used for construction unless certified.
- Contractor to verify all dimensions of existing works on site before commencing any work or preparing shop drawings.
- Do not scale drawings, use written dimensions only.
- This drawing is to be read in conjunction with the specifications and conditions of contract.
- This drawing and design is copyright and no portion may be reproduced without the permission of the MACO architects



ELEVATION A

SECTION X

1.05 BENCH SEATING 1
LOCATION "WAITING ROOM"
SCALE 1:50

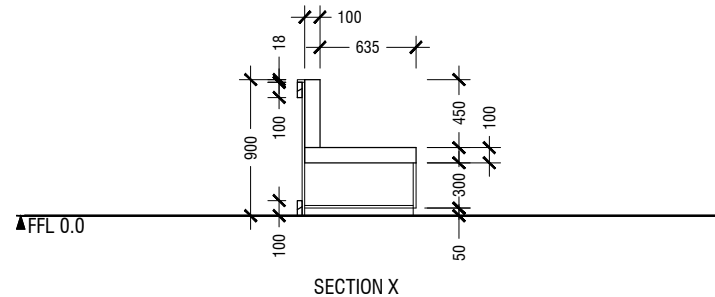
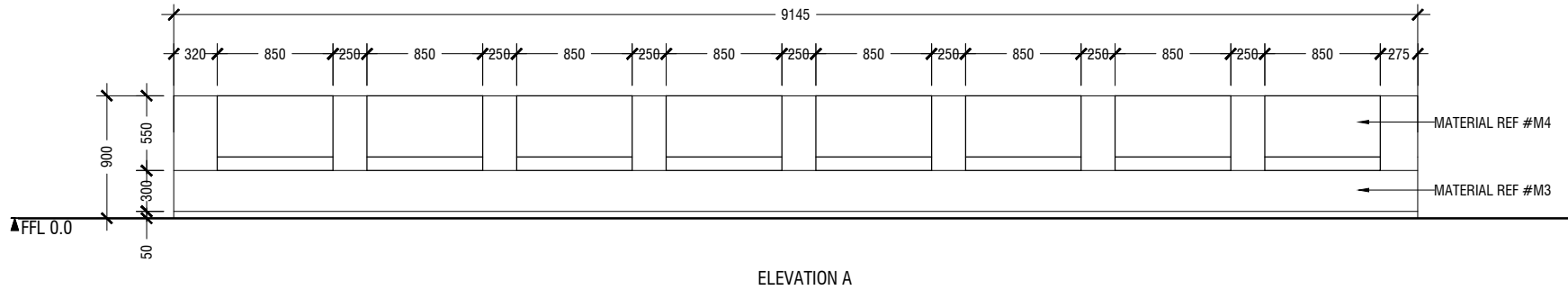
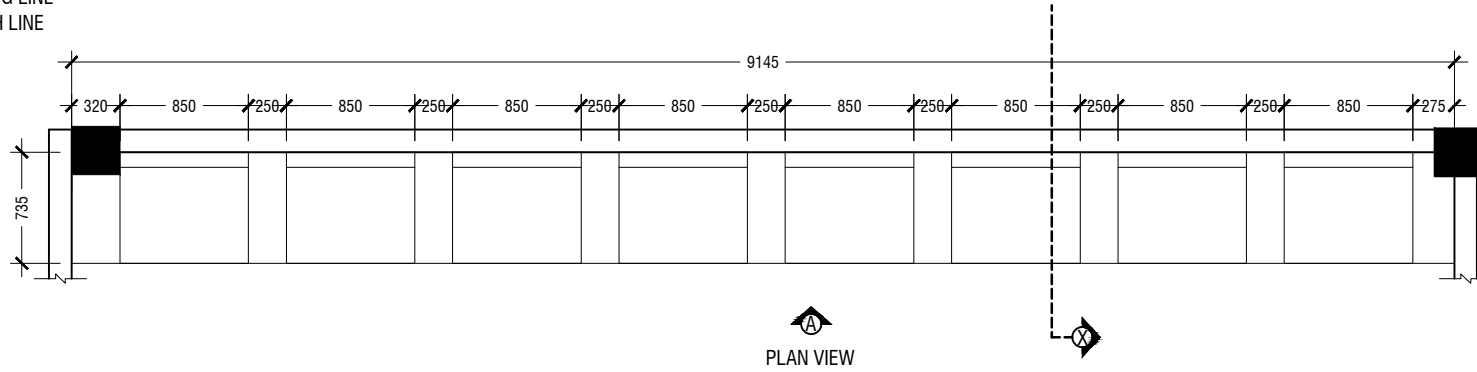
ID05

NOTE

- CL = CEILING LINE
- DCL = DROP CEILING LINE
- FFL = FLOOR FINISH LINE

*FINAL DIMENSIONS ARE SUBJECT TO CHANGE DEPENDING ON CONTRACTORS ADJUSTMENTS ON SITE

*SLANTED WALL ALIGNMENT TO BE CONFIRMED ON SITE



MACO
DESIGNS

Contact: 7989966, 7691671

Email: info@maco.mv

CLIENT:

IGMH

PROJECT:

IGMH
PHLEBOTOMY
AREA
K. MALE

INTERIOR DESIGNERS:

HASSAN

FATHIMA

ZUHA

MAHA

SCALE: AS GIVEN

DRWNG TITLE : AS GIVN

DATE: D25M02Y26

REVISION NO.: 00

FILE NAME:

\\DLINK-031BBD\Volume_1\MACO
PROJECTS\2026

WARNING:

- This drawing shall not be used for construction unless certified.
- Contractor to verify all dimensions of existing works on site before commencing any work or preparing shop drawings.
- Do not scale drawings, use written dimensions only.
- This drawing is to be read in conjunction with the specifications and conditions of contract.
- This drawing and design is copyright and no portion may be reproduced without the permission of the MACO architects

ID06

1.06 BENCH SEATING 2
LOCATION "WAITING ROOM"
SCALE 1:50

NOTE

- CL = CEILING LINE
- DCL = DROP CEILING LINE
- FFL = FLOOR FINISH LINE

*FINAL DIMENSIONS ARE SUBJECT TO CHANGE DEPENDING ON CONTRACTORS ADJUSTMENTS ON SITE

*SLANTED WALL ALIGNMENT TO BE CONFIRMED ON SITE

MACO

DESIGNS

Contact: 7989966, 7691671

Email: info@maco.mv

CLIENT:

IGMH

PROJECT:

**IGMH
PHLEBOTOMY
AREA
K. MALE**

INTERIOR DESIGNERS:

HASSAN

FATHIMA

ZUHA

MAHA

SCALE: AS GIVEN

DRWNG TITLE : AS GIVN

DATE: D25M02Y26

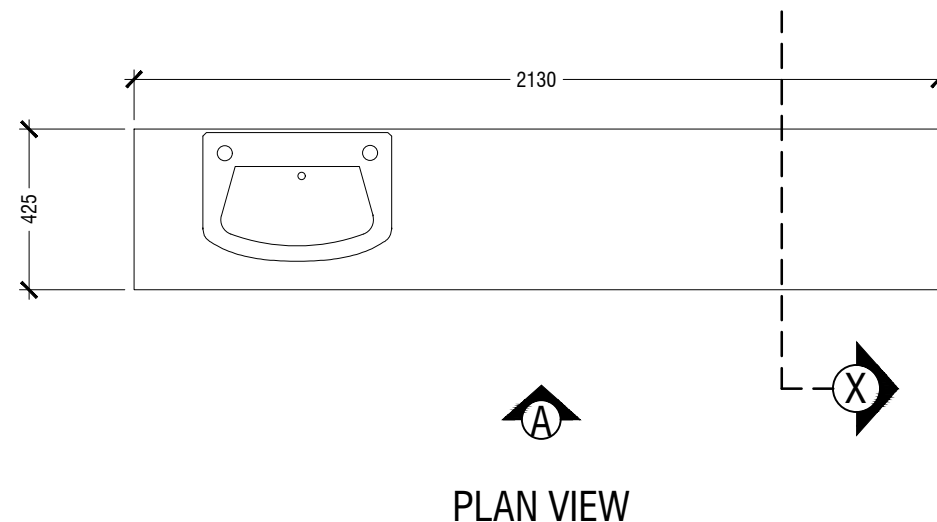
REVISION NO.: 00

FILE NAME:

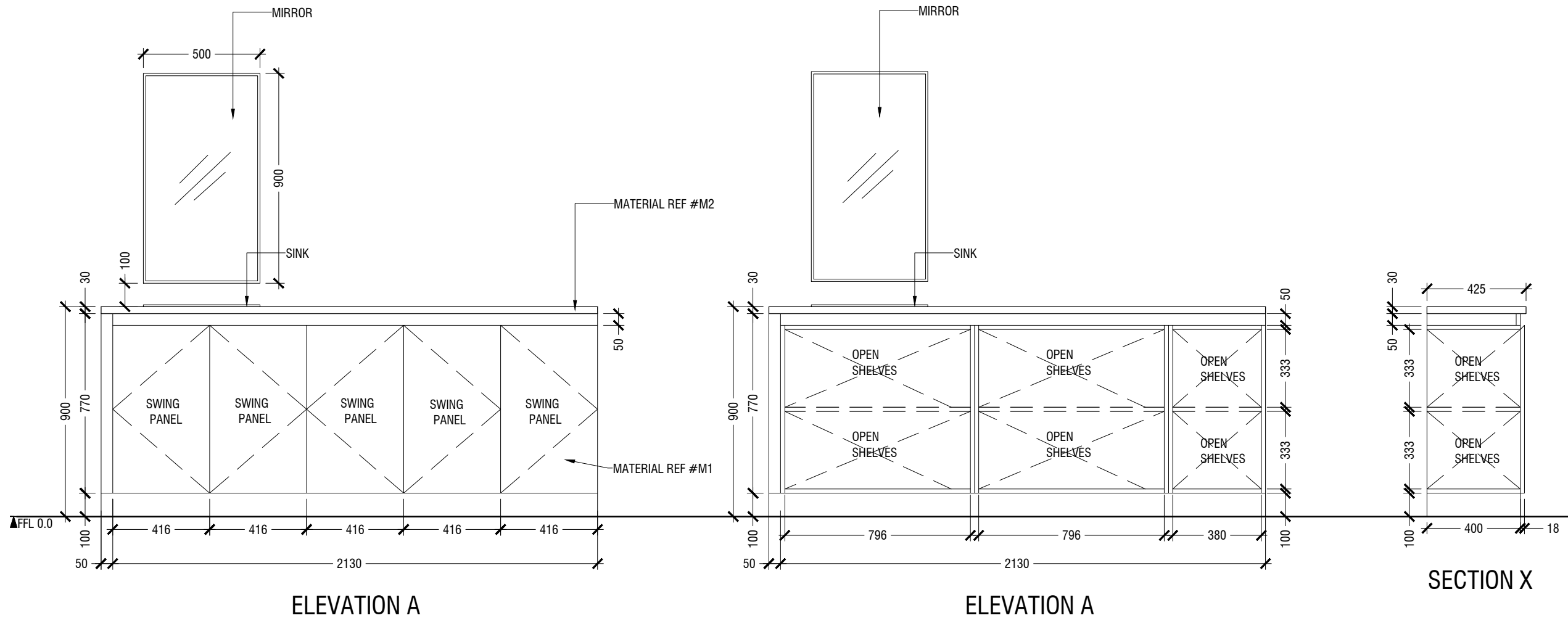
\\DLINK-031BBD\Volume_1\MACO PROJECTS\2026

WARNING:

- This drawing shall not be used for construction unless certified.
- Contractor to verify all dimensions of existing works on site before commencing any work or preparing shop drawings.
- Do not scale drawings, use written dimensions only.
- This drawing is to be read in conjunction with the specifications and conditions of contract.
- This drawing and design is copyright and no portion may be reproduced without the permission of the MACO architects



PLAN VIEW



ELEVATION A

ELEVATION A

SECTION X

1.07 SAMPLE COLLECTION AREA
LOCATION "NEAR TOILETS"
SCALE 1:20

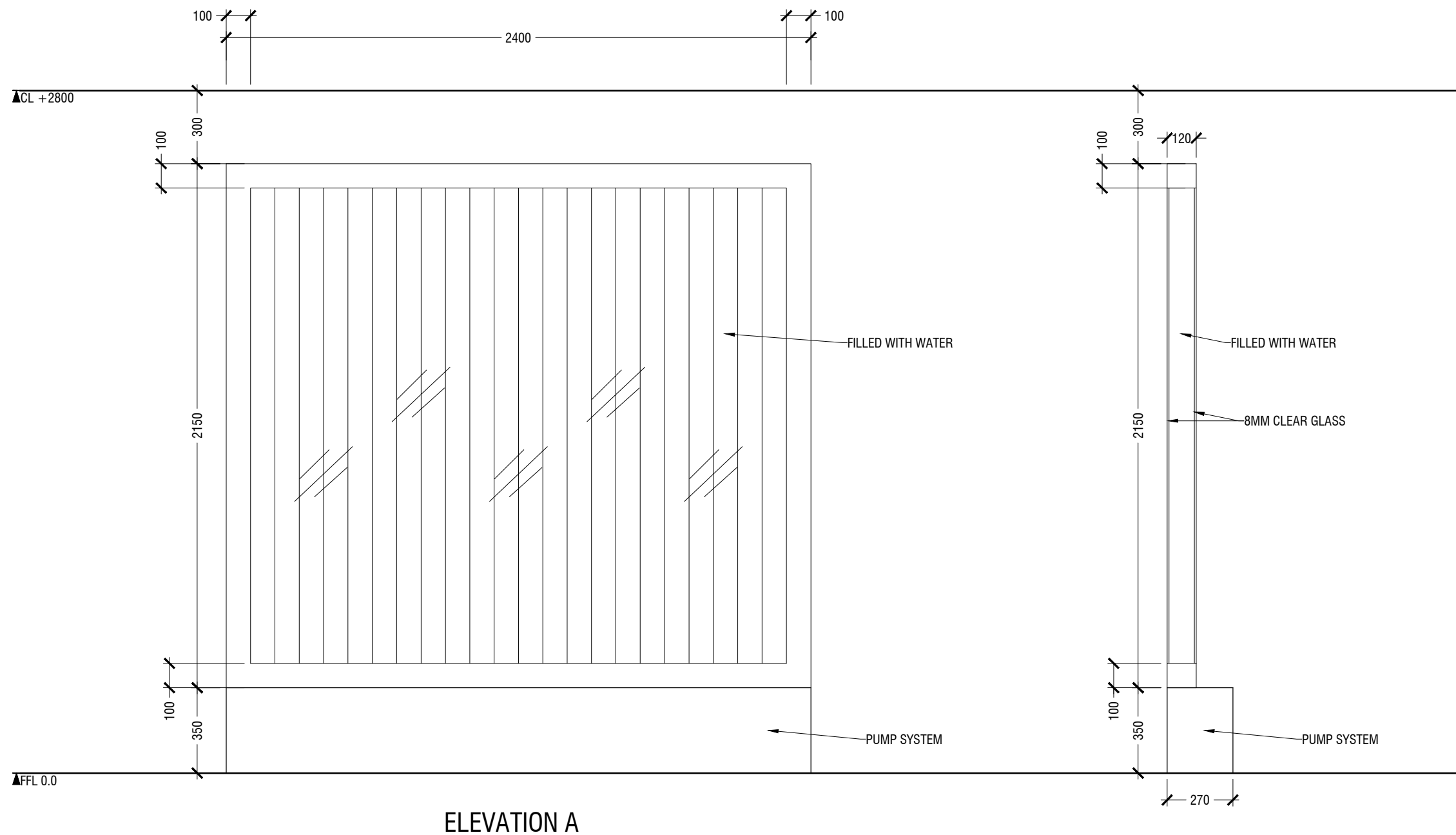
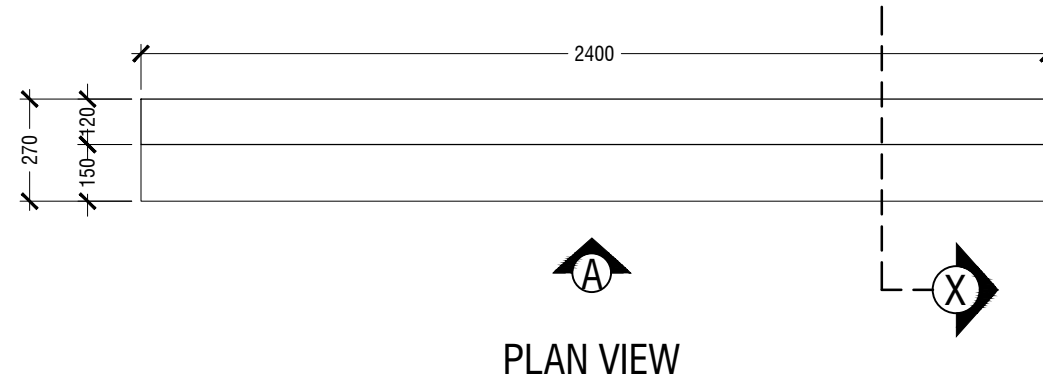
ID07

NOTE

- CL = CEILING LINE
- DCL = DROP CEILING LINE
- FFL = FLOOR FINISH LINE

*FINAL DIMENSIONS ARE SUBJECT TO CHANGE DEPENDING ON CONTRACTORS ADJUSTMENTS ON SITE

*SLANTED WALL ALIGNMENT TO BE CONFIRMED ON SITE



MACO

DESIGNS

Contact: 7989966, 7691671

Email: info@maco.mv

CLIENT:

IGMH

PROJECT:

IGMH
PHLEBOTOMY
AREA
K. MALE

INTERIOR DESIGNERS:

HASSAN

FATHIMA

ZUHA

MAHA

SCALE: AS GIVEN

DRWNG TITLE : AS GIVN

DATE: D25M02Y26

REVISION NO.: 00

FILE NAME:

\\DLINK-031BBD\Volume_1\MACO
PROJECTS\2026

WARNING:

- This drawing shall not be used for construction unless certified.
- Contractor to verify all dimensions of existing works on site before commencing any work or preparing shop drawings.
- Do not scale drawings, use written dimensions only.
- This drawing is to be read in conjunction with the specifications and conditions of contract.
- This drawing and design is copyright and no portion may be reproduced without the permission of the MACO architects

ELEVATION A

SECTION X

1.08 INDOOR WATER FEATURE
LOCATION "NEAR SAMPLE COLLECTION"
SCALE 1:20

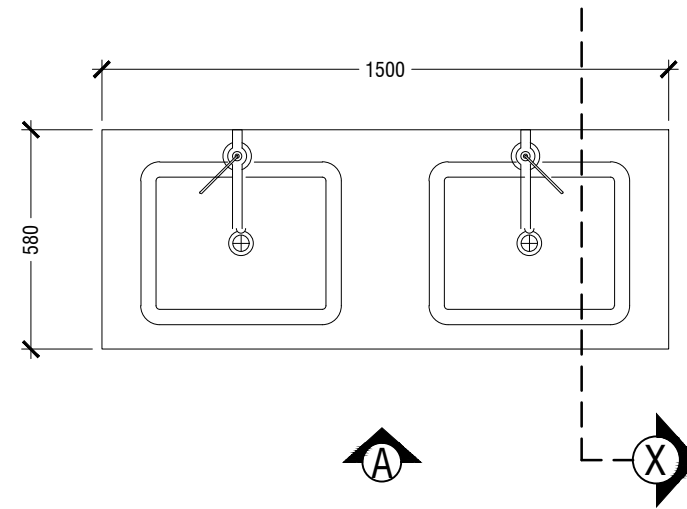
ID08

NOTE

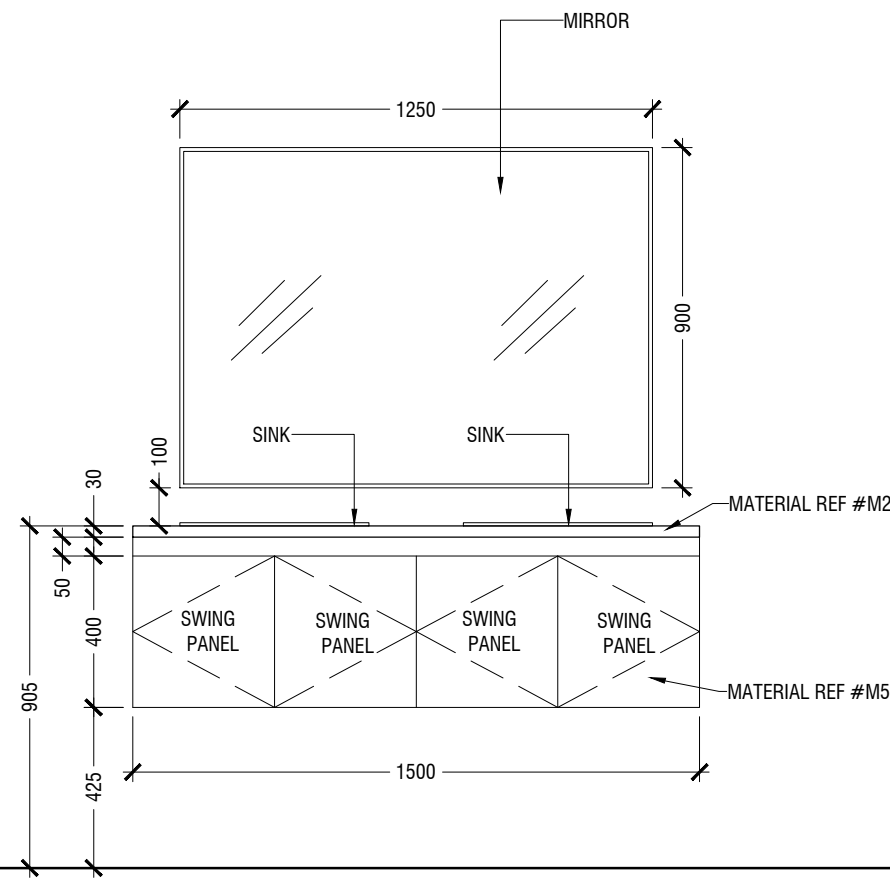
- CL = CEILING LINE
- DCL = DROP CEILING LINE
- FFL = FLOOR FINISH LINE

*FINAL DIMENSIONS ARE SUBJECT TO CHANGE DEPENDING ON CONTRACTORS ADJUSTMENTS ON SITE

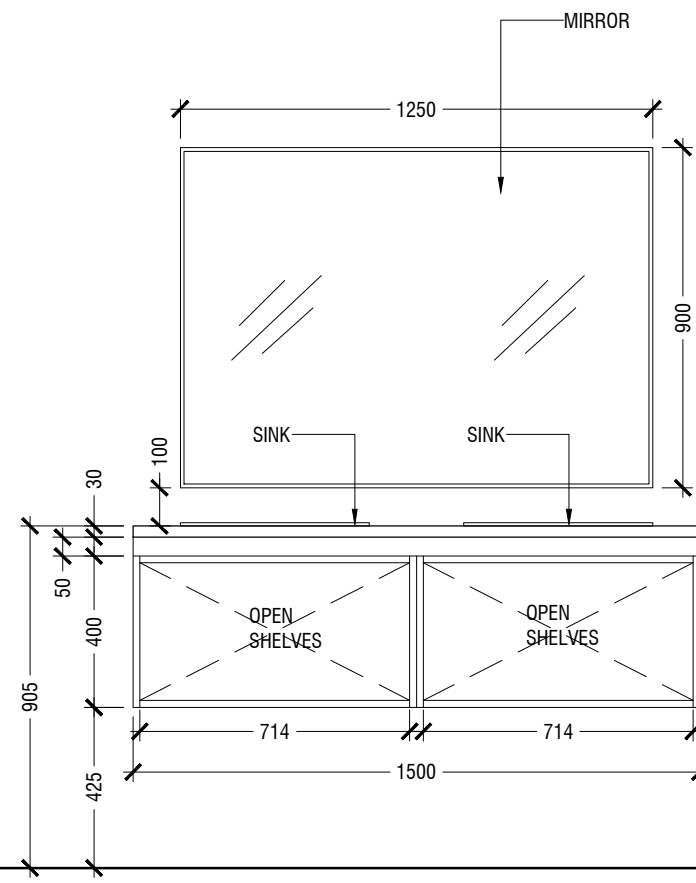
*SLANTED WALL ALIGNMENT TO BE CONFIRMED ON SITE



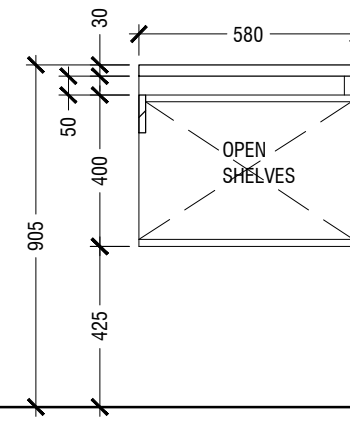
PLAN VIEW



ELEVATION A



OPEN ELEVATION



SECTION X

MACO

DESIGNS

Contact: 7989966, 7691671

Email: info@maco.mv

CLIENT:

IGMH

PROJECT:

**IGMH
PHLEBOTOMY
AREA
K. MALE**

INTERIOR DESIGNERS:

HASSAN

FATHIMA

ZUHA

MAHA

SCALE: AS GIVEN

DRWNG TITLE : AS GIVN

DATE: D25M02Y26

REVISION NO.: 00

FILE NAME:

\\DLINK-031BBD\Volume_1\MACO PROJECTS\2026

WARNING:

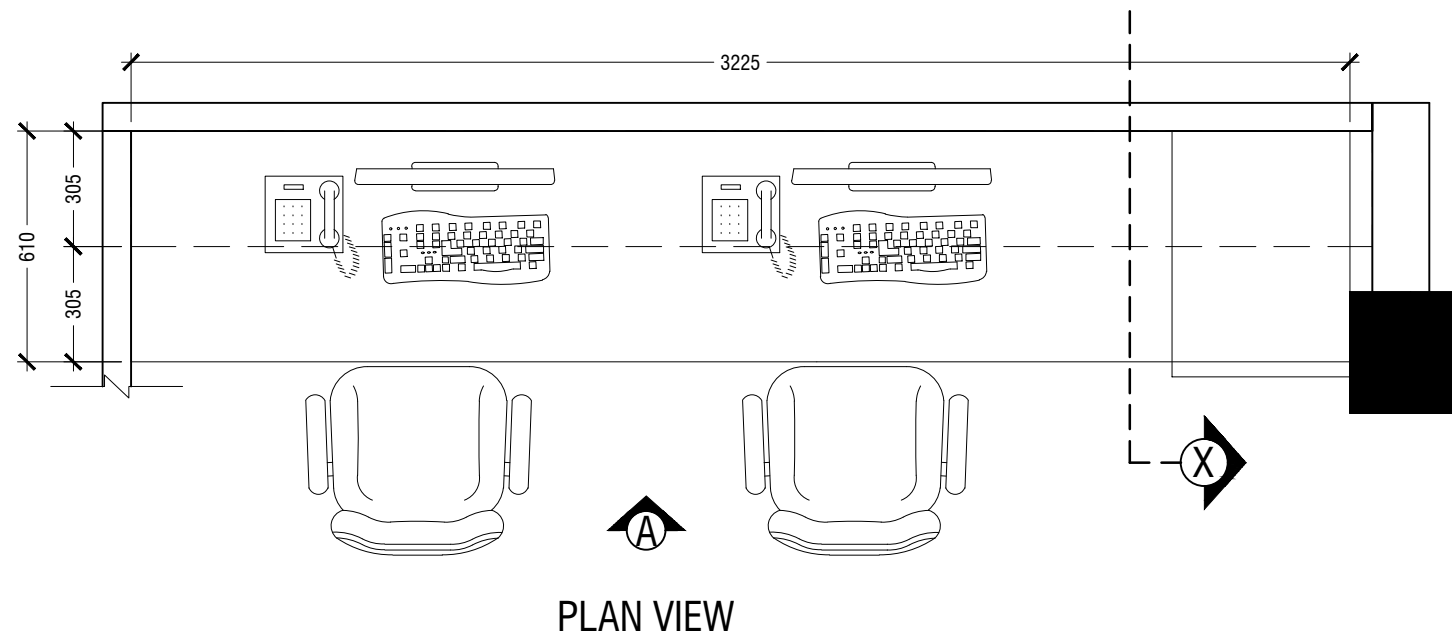
- This drawing shall not be used for construction unless certified.
- Contractor to verify all dimensions of existing works on site before commencing any work or preparing shop drawings.
- Do not scale drawings, use written dimensions only.
- This drawing is to be read in conjunction with the specifications and conditions of contract.
- This drawing and design is copyright and no portion may be reproduced without the permission of the MACO architects

1.09 **DOUBLE VANITY**
LOCATION "TOILET"
SCALE 1:20

ID09

NOTE

- CL = CEILING LINE
- DCL = DROP CEILING LINE
- FFL = FLOOR FINISH LINE



*FINAL DIMENSIONS ARE SUBJECT TO CHANGE DEPENDING ON CONTRACTORS ADJUSTMENTS ON SITE

*SLANTED WALL ALIGNMENT TO BE CONFIRMED ON SITE

MACO

DESIGNS

Contact: 7989966, 7691671

Email: info@maco.mv

CLIENT:

IGMH

PROJECT:

IGMH
PHLEBOTOMY
AREA
K. MALE

INTERIOR DESIGNERS:

HASSAN

FATHIMA

ZUHA

MAHA

SCALE: AS GIVEN

DRWNG TITLE : AS GIVN

DATE: D25M02Y26

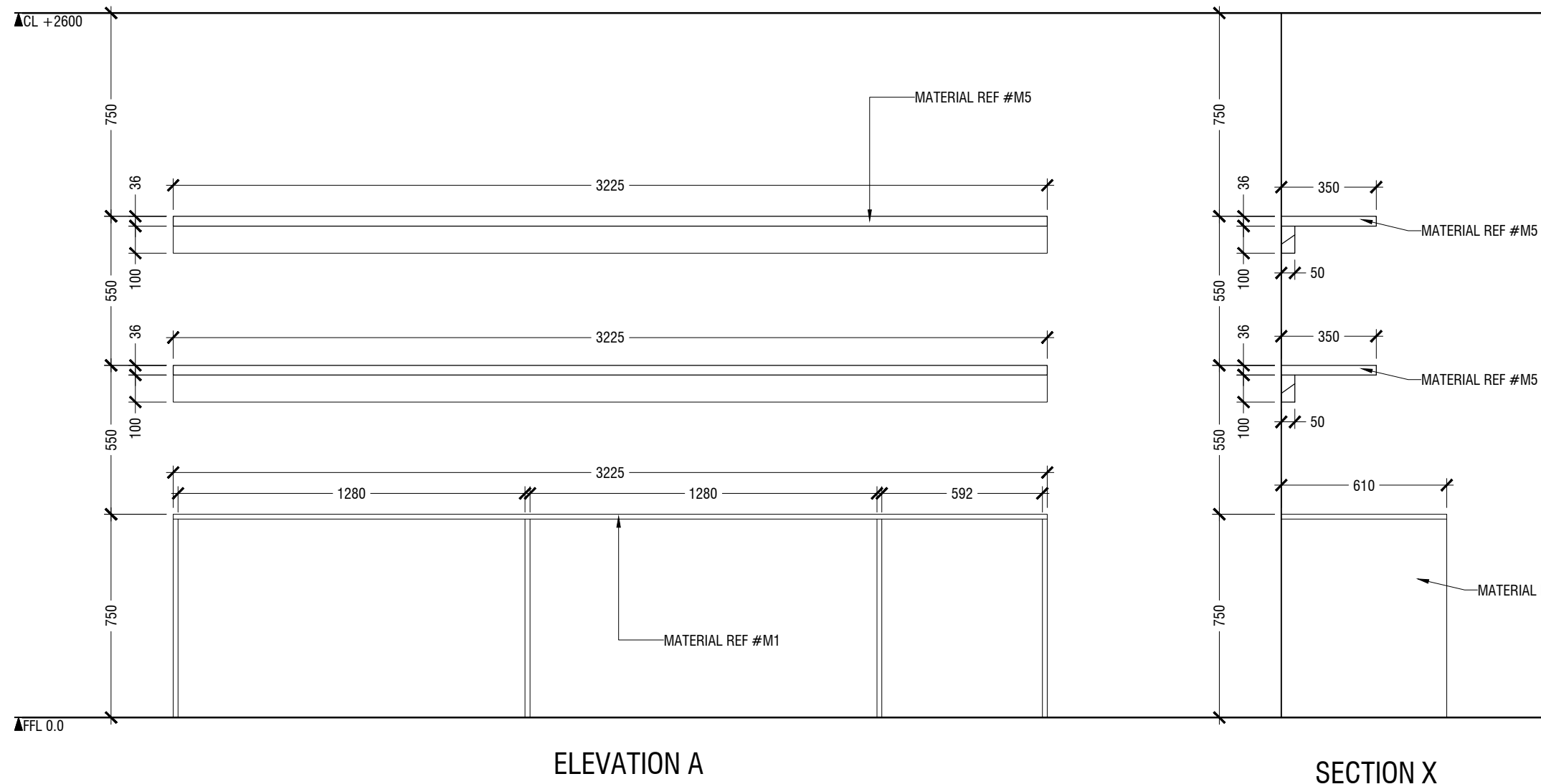
REVISION NO.: 00

FILE NAME:

\\DLINK-031BBD\Volume_1\MACO
PROJECTS\2026

WARNING:

- This drawing shall not be used for construction unless certified.
- Contractor to verify all dimensions of existing works on site before commencing any work or preparing shop drawings.
- Do not scale drawings, use written dimensions only.
- This drawing is to be read in conjunction with the specifications and conditions of contract.
- This drawing and design is copyright and no portion may be reproduced without the permission of the MACO architects



1.10 DESK
LOCATION "COORDINATOR ROOM"
SCALE 1:20

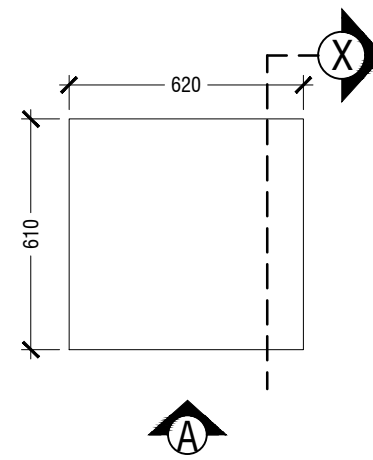
ID10

NOTE

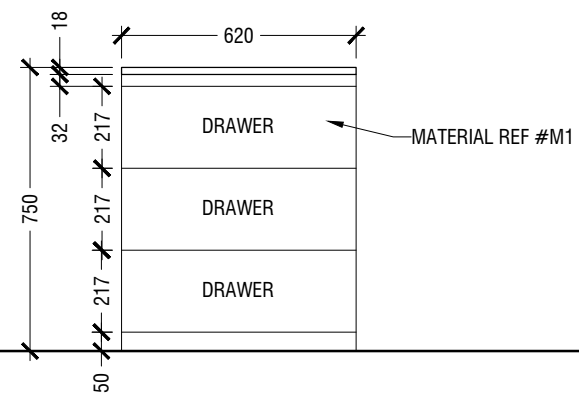
- CL = CEILING LINE
- DCL = DROP CEILING LINE
- FFL = FLOOR FINISH LINE

*FINAL DIMENSIONS ARE SUBJECT TO CHANGE DEPENDING ON CONTRACTORS ADJUSTMENTS ON SITE

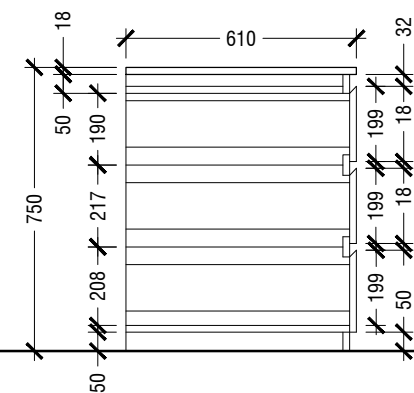
*SLANTED WALL ALIGNMENT TO BE CONFIRMED ON SITE



PLAN VIEW



ELEVATION A



SECTION X

▲FFL 0.0

MACO

DESIGNS

Contact: 7989966, 7691671

Email: info@maco.mv

CLIENT:

IGMH

PROJECT:

IGMH
PHLEBOTOMY
AREA

K. MALE

INTERIOR DESIGNERS:

HASSAN

FATHIMA

ZUHA

MAHA

SCALE: AS GIVEN

DRWNG TITLE : AS GIVN

DATE: D25M02Y26

REVISION NO.: 00

FILE NAME:

\\DLINK-031BBD\Volume_1\MACO
PROJECTS\2026

WARNING:

- This drawing shall not be used for construction unless certified.
- Contractor to verify all dimensions of existing works on site before commencing any work or preparing shop drawings.
- Do not scale drawings, use written dimensions only.
- This drawing is to be read in conjunction with the specifications and conditions of contract.
- This drawing and design is copyright and no portion may be reproduced without the permission of the MACO architects

1.11 STORAGE CABINET 1
LOCATION "COORDINATOR ROOM"
SCALE 1:20

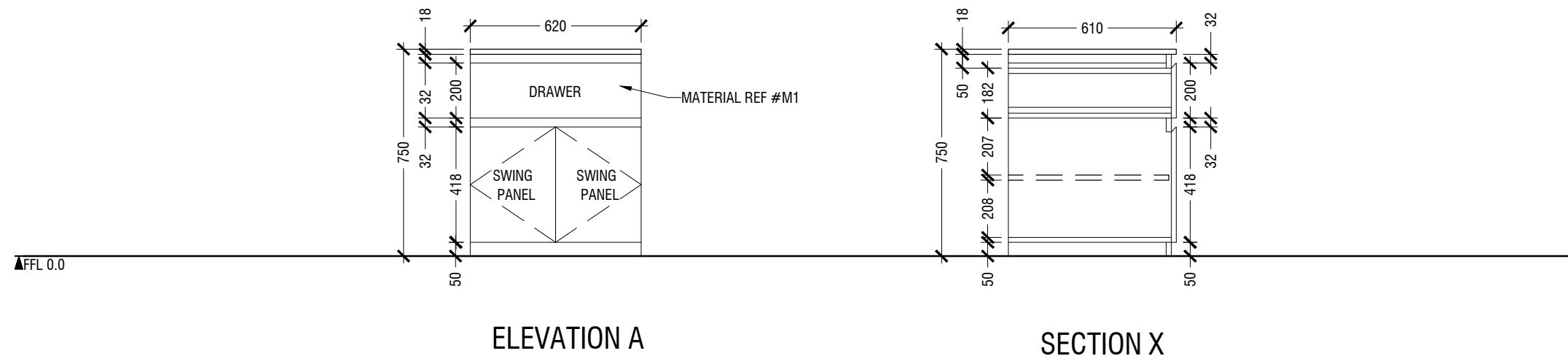
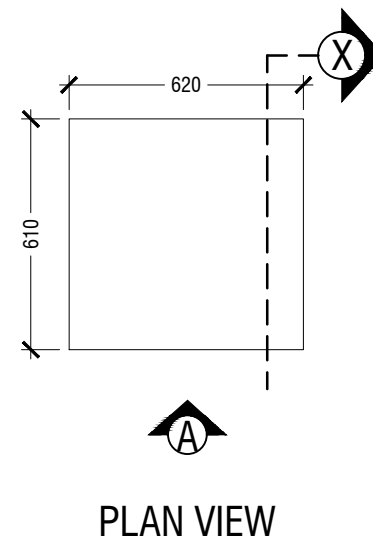
ID11

NOTE

- CL = CEILING LINE
- DCL = DROP CEILING LINE
- FFL = FLOOR FINISH LINE

*FINAL DIMENSIONS ARE SUBJECT TO CHANGE DEPENDING ON CONTRACTORS ADJUSTMENTS ON SITE

*SLANTED WALL ALIGNMENT TO BE CONFIRMED ON SITE



1.12 STORAGE CABINET 2
LOCATION "COORDINATOR ROOM"
SCALE 1:20

MACO

DESIGNS

Contact: 7989966, 7691671

Email: info@maco.mv

CLIENT:

IGMH

PROJECT:

IGMH
PHLEBOTOMY
AREA
K. MALE

INTERIOR DESIGNERS:

HASSAN

FATHIMA

ZUHA

MAHA

SCALE: AS GIVEN

DRWNG TITLE : AS GIVN

DATE: D25M02Y26

REVISION NO.: 00

FILE NAME:

\\DLINK-031BBD\Volume_1\MACO
PROJECTS\2026

WARNING:

- This drawing shall not be used for construction unless certified.
- Contractor to verify all dimensions of existing works on site before commencing any work or preparing shop drawings.
- Do not scale drawings, use written dimensions only.
- This drawing is to be read in conjunction with the specifications and conditions of contract.
- This drawing and design is copyright and no portion may be reproduced without the permission of the MACO architects

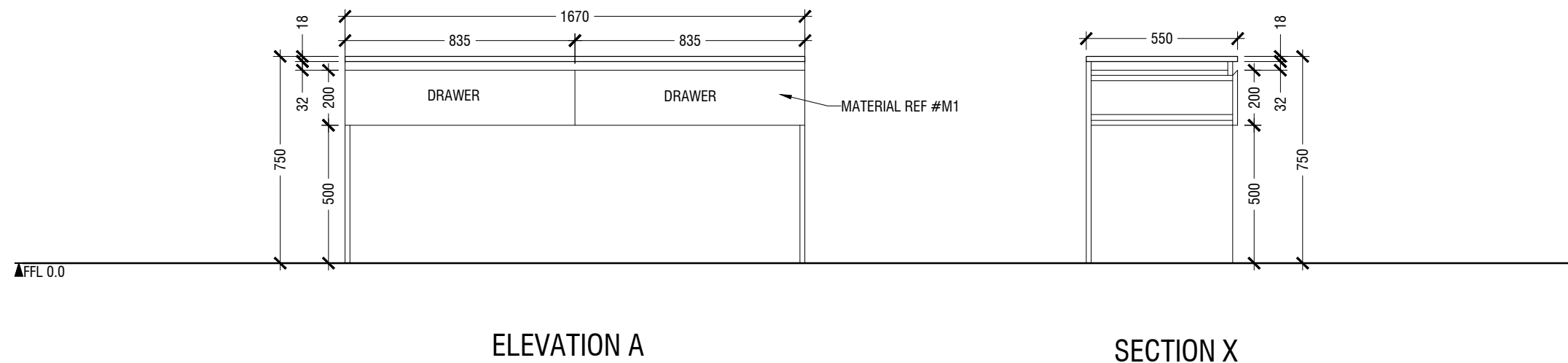
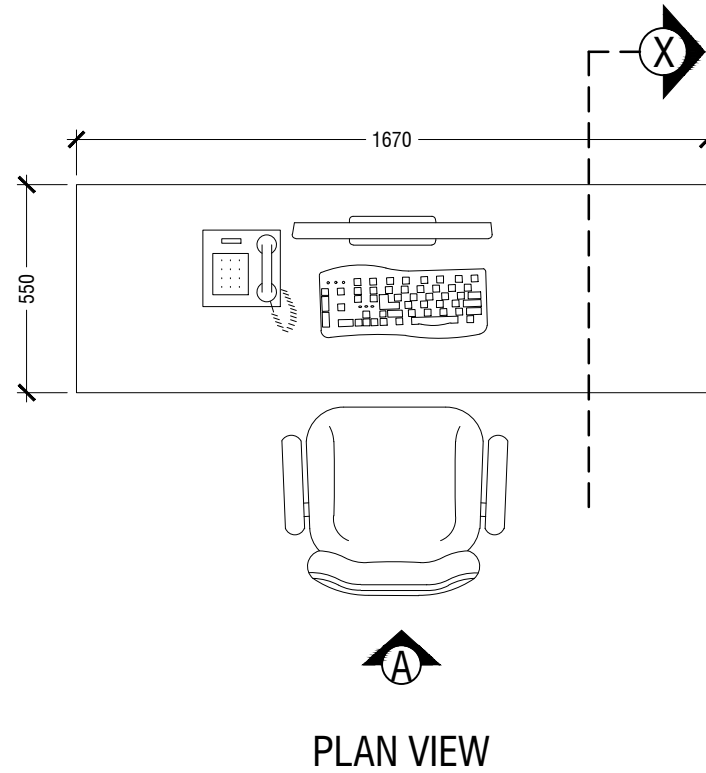
ID12

NOTE

- CL = CEILING LINE
- DCL = DROP CEILING LINE
- FFL = FLOOR FINISH LINE

*FINAL DIMENSIONS ARE SUBJECT TO CHANGE DEPENDING ON CONTRACTORS ADJUSTMENTS ON SITE

*SLANTED WALL ALIGNMENT TO BE CONFIRMED ON SITE



MACO

DESIGNS

Contact: 7989966, 7691671

Email: info@maco.mv

CLIENT:

IGMH

PROJECT:

IGMH
PHLEBOTOMY
AREA
K. MALE

INTERIOR DESIGNERS:

HASSAN

FATHIMA

ZUHA

MAHA

SCALE: AS GIVEN

DRWNG TITLE : AS GIVN

DATE: D25M02Y26

REVISION NO.: 00

FILE NAME:

\\DLINK-031BBD\Volume_1\MACO
PROJECTS\2026

WARNING:

- This drawing shall not be used for construction unless certified.
- Contractor to verify all dimensions of existing works on site before commencing any work or preparing shop drawings.
- Do not scale drawings, use written dimensions only.
- This drawing is to be read in conjunction with the specifications and conditions of contract.
- This drawing and design is copyright and no portion may be reproduced without the permission of the MACO architects

1.13 **DESK**
LOCATION "SAMPLE REGISTRATION ROOM"
SCALE 1:20

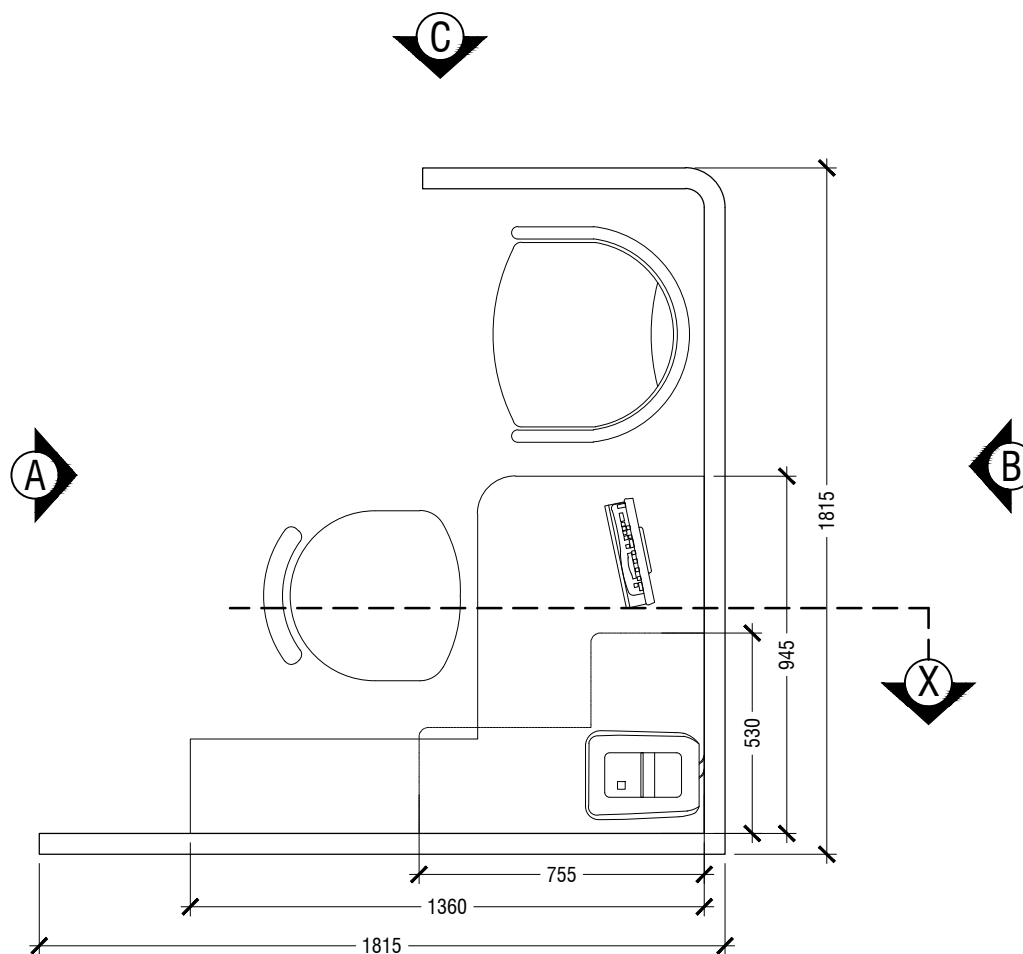
ID13

NOTE

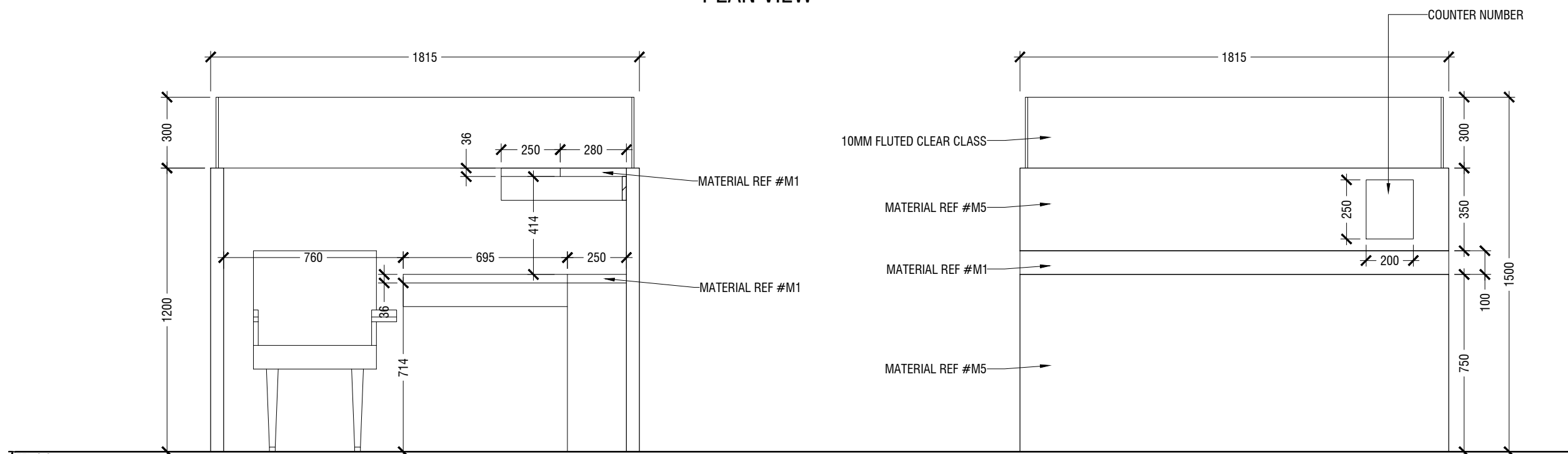
- CL = CEILING LINE
- DCL = DROP CEILING LINE
- FFL = FLOOR FINISH LINE

*FINAL DIMENSIONS ARE SUBJECT TO CHANGE DEPENDING ON CONTRACTORS ADJUSTMENTS ON SITE

*SLANTED WALL ALIGNMENT TO BE CONFIRMED ON SITE



PLAN VIEW



ELEVATION A

ELEVATION A

MACO

DESIGNS

Contact: 7989966, 7691671

Email: info@maco.mv

CLIENT:

IGMH

PROJECT:

IGMH
PHLEBOTOMY
AREA
K. MALE

INTERIOR DESIGNERS:

HASSAN

FATHIMA

ZUHA

MAHA

SCALE: AS GIVEN

DRWNG TITLE : AS GIVN

DATE: D25M02Y26

REVISION NO.: 00

FILE NAME:

\\DLINK-031BBD\Volume_1\MACO PROJECTS\2026

WARNING:

- This drawing shall not be used for construction unless certified.
- Contractor to verify all dimensions of existing works on site before commencing any work or preparing shop drawings.
- Do not scale drawings, use written dimensions only.
- This drawing is to be read in conjunction with the specifications and conditions of contract.
- This drawing and design is copyright and no portion may be reproduced without the permission of the MACO architects

1.14 PHLEBOTOMY CUBICLE
LOCATION "PHLEBOTOMY AREA"
SCALE 1:20

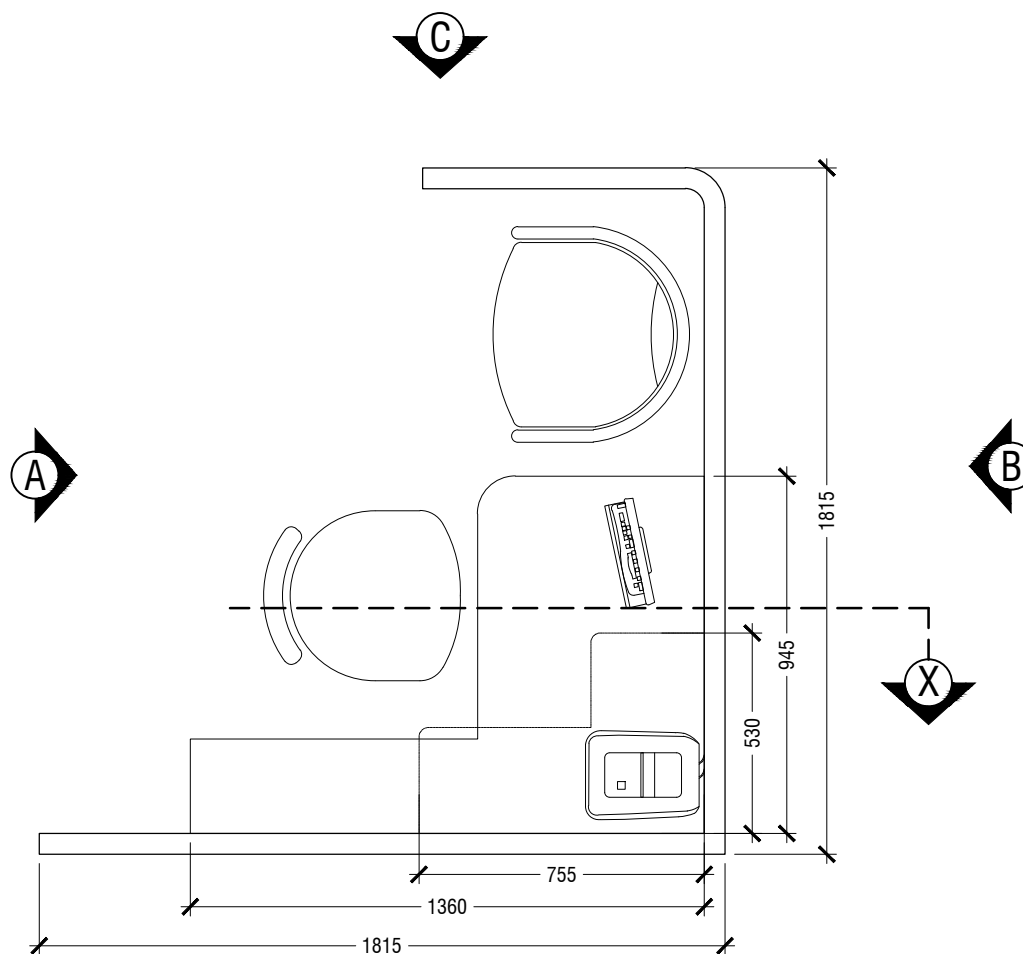
ID14

NOTE

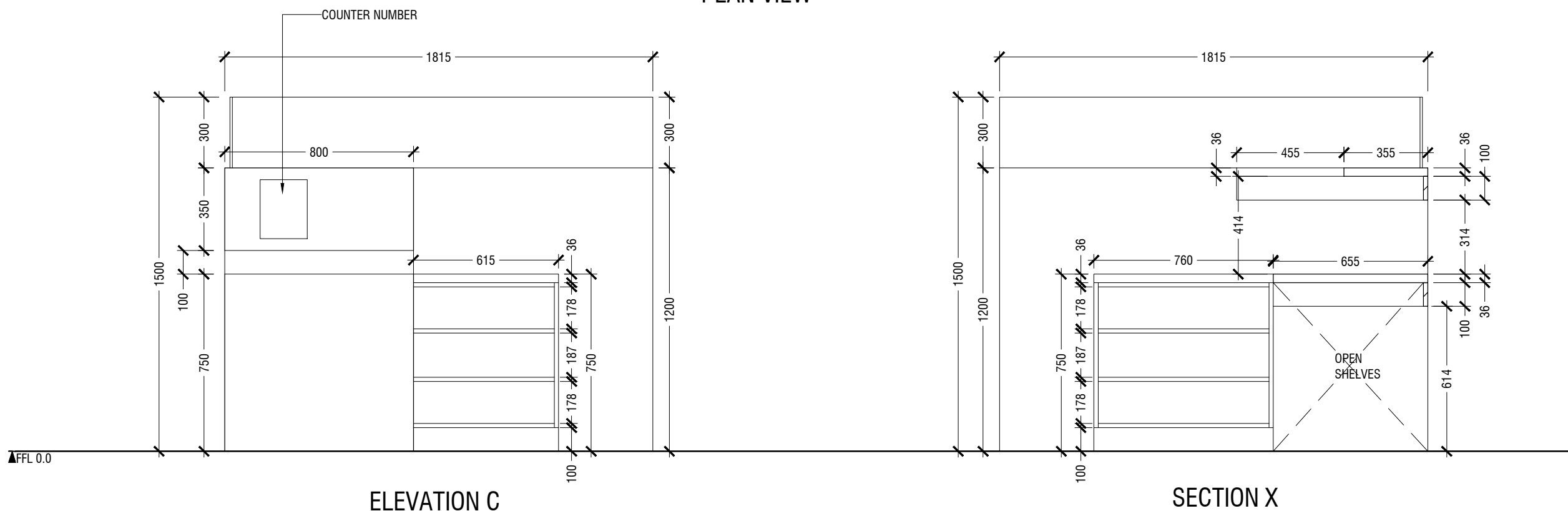
- CL = CEILING LINE
- DCL = DROP CEILING LINE
- FFL = FLOOR FINISH LINE

*FINAL DIMENSIONS ARE SUBJECT TO CHANGE DEPENDING ON CONTRACTORS ADJUSTMENTS ON SITE

*SLANTED WALL ALIGNMENT TO BE CONFIRMED ON SITE



PLAN VIEW



ELEVATION C

SECTION X

MACO

DESIGNS

Contact: 7989966, 7691671

Email: info@maco.mv

CLIENT:

IGMH

PROJECT:

IGMH
PHLEBOTOMY
AREA
K. MALE

INTERIOR DESIGNERS:

HASSAN

FATHIMA

ZUHA

MAHA

SCALE: AS GIVEN

DRWNG TITLE : AS GIVN

DATE: D25M02Y26

REVISION NO.: 00

FILE NAME:

\\DLINK-031BBD\Volume_1\MACO
PROJECTS\2026

WARNING:

- This drawing shall not be used for construction unless certified.
- Contractor to verify all dimensions of existing works on site before commencing any work or preparing shop drawings.
- Do not scale drawings, use written dimensions only.
- This drawing is to be read in conjunction with the specifications and conditions of contract.
- This drawing and design is copyright and no portion may be reproduced without the permission of the MACO architects

1.14 PHLEBOTOMY CUBICLE
LOCATION "PHLEBOTOMY AREA"
SCALE 1:20

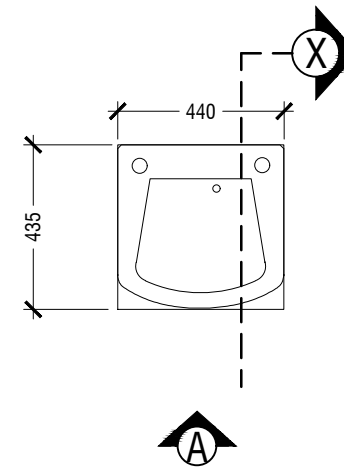
ID15

NOTE

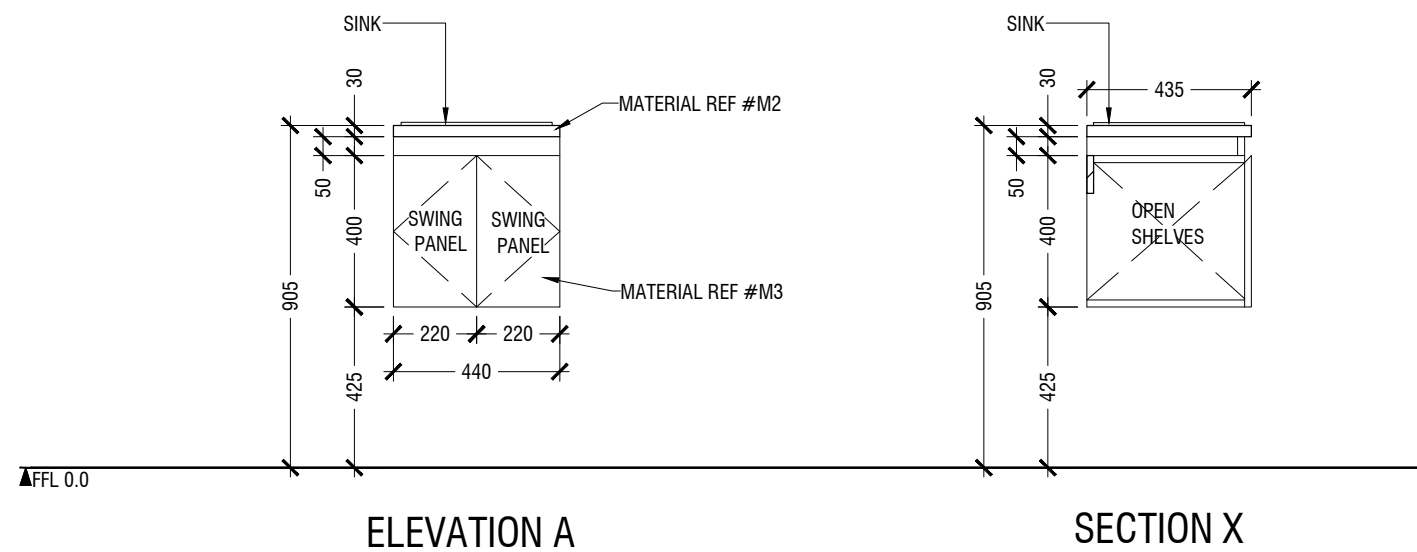
- CL = CEILING LINE
- DCL = DROP CEILING LINE
- FFL = FLOOR FINISH LINE

*FINAL DIMENSIONS ARE SUBJECT TO CHANGE DEPENDING ON CONTRACTORS ADJUSTMENTS ON SITE

*SLANTED WALL ALIGNMENT TO BE CONFIRMED ON SITE



PLAN VIEW



ELEVATION A

SECTION X

1.15 HAND & EYE WASH STAND
LOCATION "PHLEBOTOMY AREA"
SCALE 1:20

MACO

DESIGNS

Contact: 7989966, 7691671

Email: info@maco.mv

CLIENT:

IGMH

PROJECT:

IGMH
PHLEBOTOMY
AREA

K. MALE

INTERIOR DESIGNERS:

HASSAN

FATHIMA

ZUHA

MAHA

SCALE: AS GIVEN

DRWNG TITLE : AS GIVN

DATE: D25M02Y26

REVISION NO.: 00

FILE NAME:

\\DLINK-031BBD\Volume_1\MACO
PROJECTS\2026

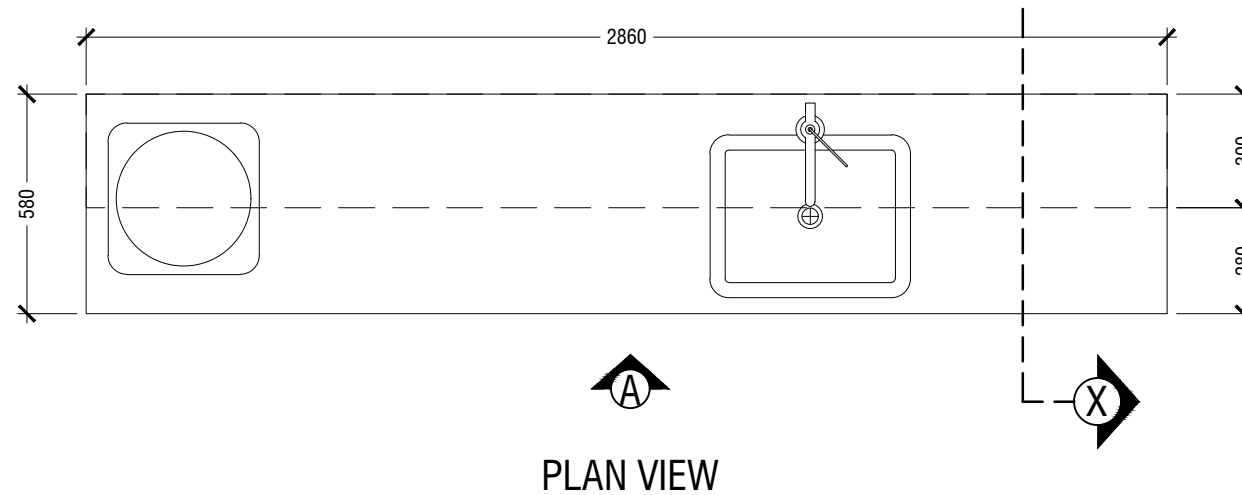
WARNING:

- This drawing shall not be used for construction unless certified.
- Contractor to verify all dimensions of existing works on site before commencing any work or preparing shop drawings.
- Do not scale drawings, use written dimensions only.
- This drawing is to be read in conjunction with the specifications and conditions of contract.
- This drawing and design is copyright and no portion may be reproduced without the permission of the MACO architects

ID16

NOTE

- CL = CEILING LINE
- DCL = DROP CEILING LINE
- FFL = FLOOR FINISH LINE



*FINAL DIMENSIONS ARE SUBJECT TO CHANGE DEPENDING ON CONTRACTORS ADJUSTMENTS ON SITE

*SLANTED WALL ALIGNMENT TO BE CONFIRMED ON SITE

MACO
DESIGNS

Contact: 7989966, 7691671

Email: info@maco.mv

CLIENT:

IGMH

PROJECT:

**IGMH
PHLEBOTOMY
AREA
K. MALE**

INTERIOR DESIGNERS:

HASSAN

FATHIMA

ZUHA

MAHA

SCALE: AS GIVEN

DRWNG TITLE : AS GIVN

DATE: D25M02Y26

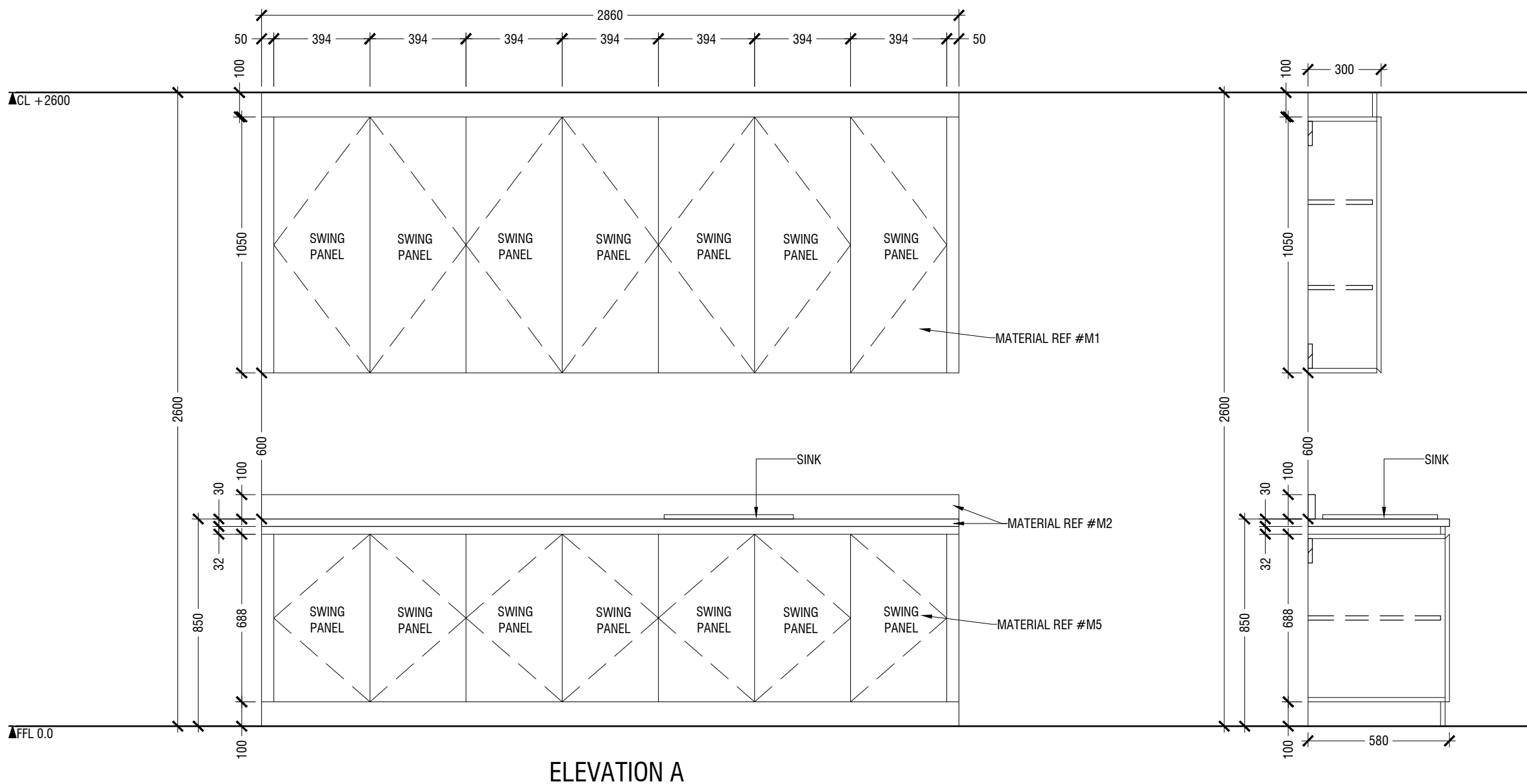
REVISION NO.: 00

FILE NAME:

\\DLINK-031BBD\Volume_1\MACO PROJECTS\2026

WARNING:

- This drawing shall not be used for construction unless certified.
- Contractor to verify all dimensions of existing works on site before commencing any work or preparing shop drawings.
- Do not scale drawings, use written dimensions only.
- This drawing is to be read in conjunction with the specifications and conditions of contract.
- This drawing and design is copyright and no portion may be reproduced without the permission of the MACO architects



ELEVATION A

SECTION X

1.16 STORAGE CABINET
LOCATION "STAFF ROOM"
SCALE 1:20

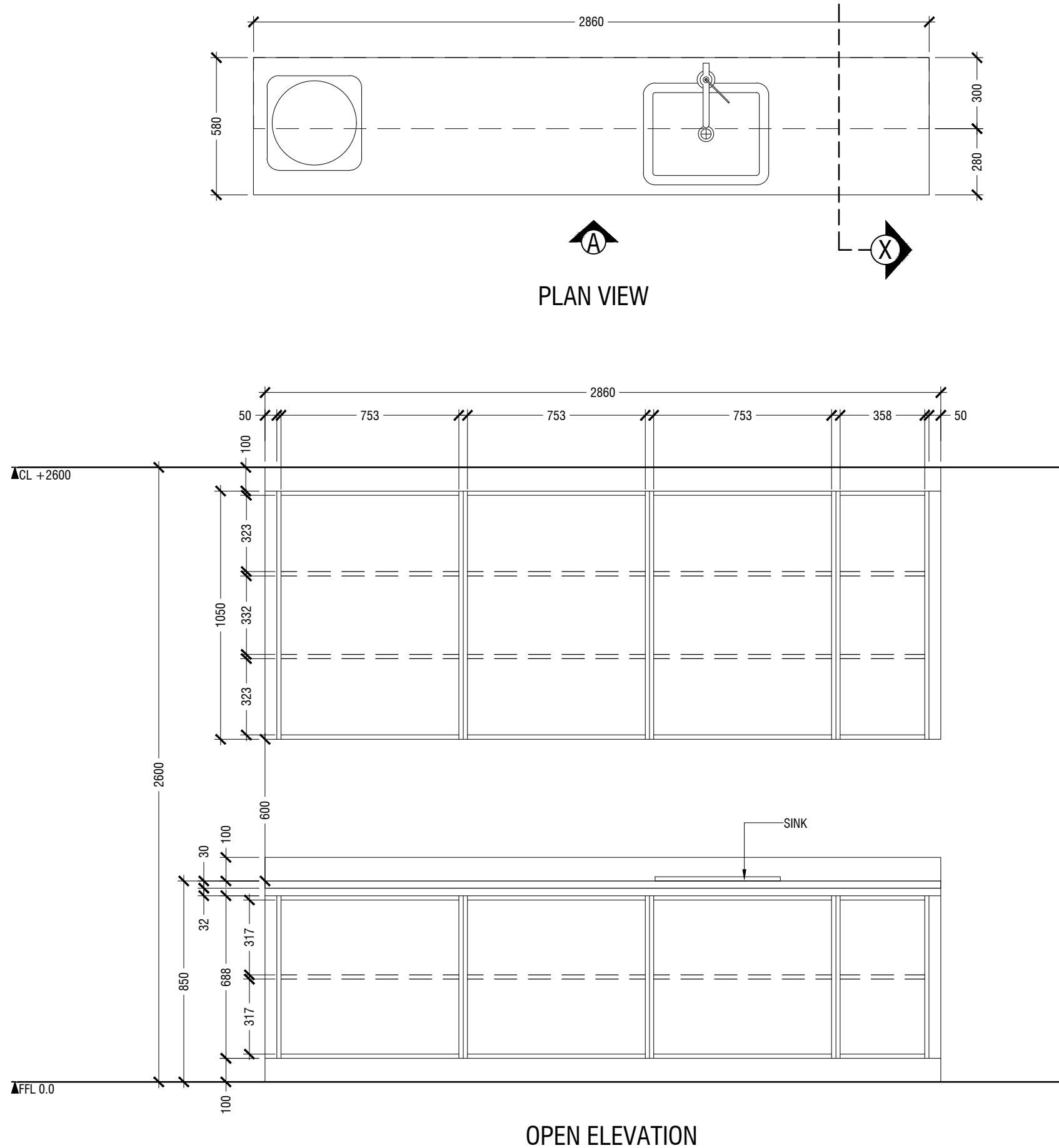
ID17

NOTE

- CL = CEILING LINE
- DCL = DROP CEILING LINE
- FFL = FLOOR FINISH LINE

*FINAL DIMENSIONS ARE SUBJECT TO CHANGE DEPENDING ON CONTRACTORS ADJUSTMENTS ON SITE

*SLANTED WALL ALIGNMENT TO BE CONFIRMED ON SITE



PLAN VIEW

OPEN ELEVATION

MACO
DESIGNS

Contact: 7989966, 7691671

Email: info@maco.mv

CLIENT:

IGMH

PROJECT:

IGMH
PHLEBOTOMY
AREA
K. MALE

INTERIOR DESIGNERS:

HASSAN

FATHIMA

ZUHA

MAHA

SCALE: AS GIVEN

DRWNG TITLE : AS GIVN

DATE: D25M02Y26

REVISION NO.: 00

FILE NAME:

\\DLINK-031BBD\Volume_1\MACO
PROJECTS\2026

WARNING:

- This drawing shall not be used for construction unless certified.
- Contractor to verify all dimensions of existing works on site before commencing any work or preparing shop drawings.
- Do not scale drawings, use written dimensions only.
- This drawing is to be read in conjunction with the specifications and conditions of contract.
- This drawing and design is copyright and no portion may be reproduced without the permission of the MACO architects

1.16 STORAGE CABINET
LOCATION "STAFF ROOM"
SCALE 1:20

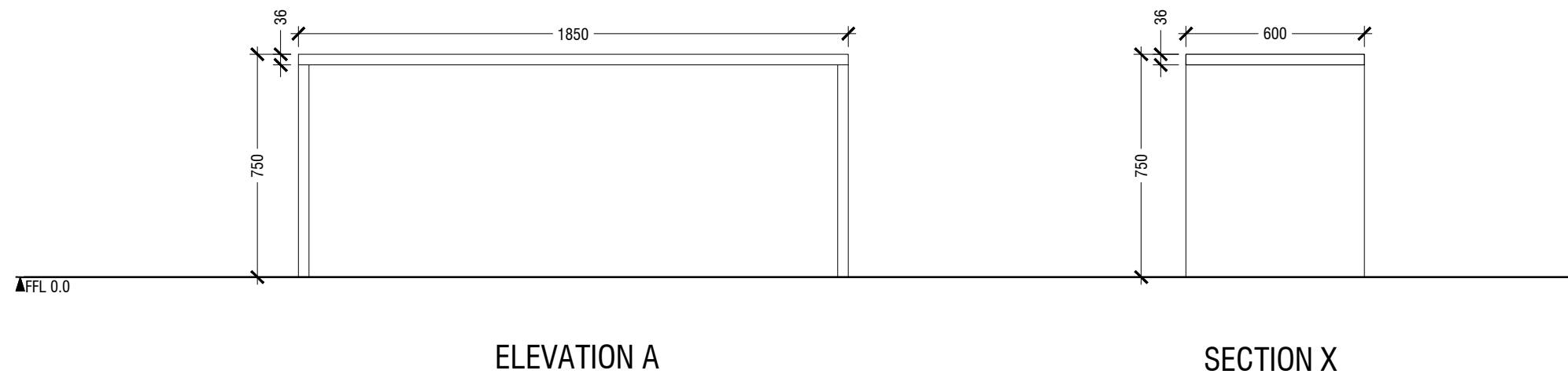
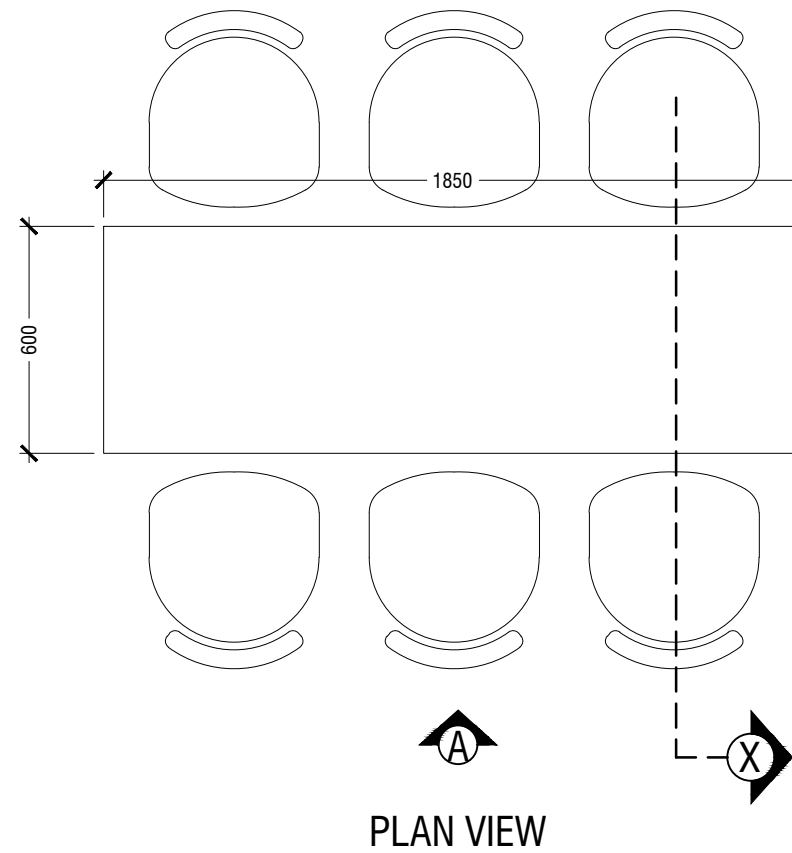
ID18

NOTE

- CL = CEILING LINE
- DCL = DROP CEILING LINE
- FFL = FLOOR FINISH LINE

*FINAL DIMENSIONS ARE SUBJECT TO CHANGE DEPENDING ON CONTRACTORS ADJUSTMENTS ON SITE

*SLANTED WALL ALIGNMENT TO BE CONFIRMED ON SITE



MACO
DESIGNS

Contact: 7989966, 7691671

Email: info@maco.mv

CLIENT:

IGMH

PROJECT:

**IGMH
PHLEBOTOMY
AREA**
K. MALE

INTERIOR DESIGNERS:

HASSAN

FATHIMA

ZUHA

MAHA

SCALE: AS GIVEN

DRWNG TITLE : AS GIVN

DATE: D25M02Y26

REVISION NO.: 00

FILE NAME:

\\DLINK-031BBD\Volume_1\MACO
PROJECTS\2026

WARNING:

- This drawing shall not be used for construction unless certified.
- Contractor to verify all dimensions of existing works on site before commencing any work or preparing shop drawings.
- Do not scale drawings, use written dimensions only.
- This drawing is to be read in conjunction with the specifications and conditions of contract.
- This drawing and design is copyright and no portion may be reproduced without the permission of the MACO architects

1.17 DINING TABLE
LOCATION "STAFF ROOM"
SCALE 1:20

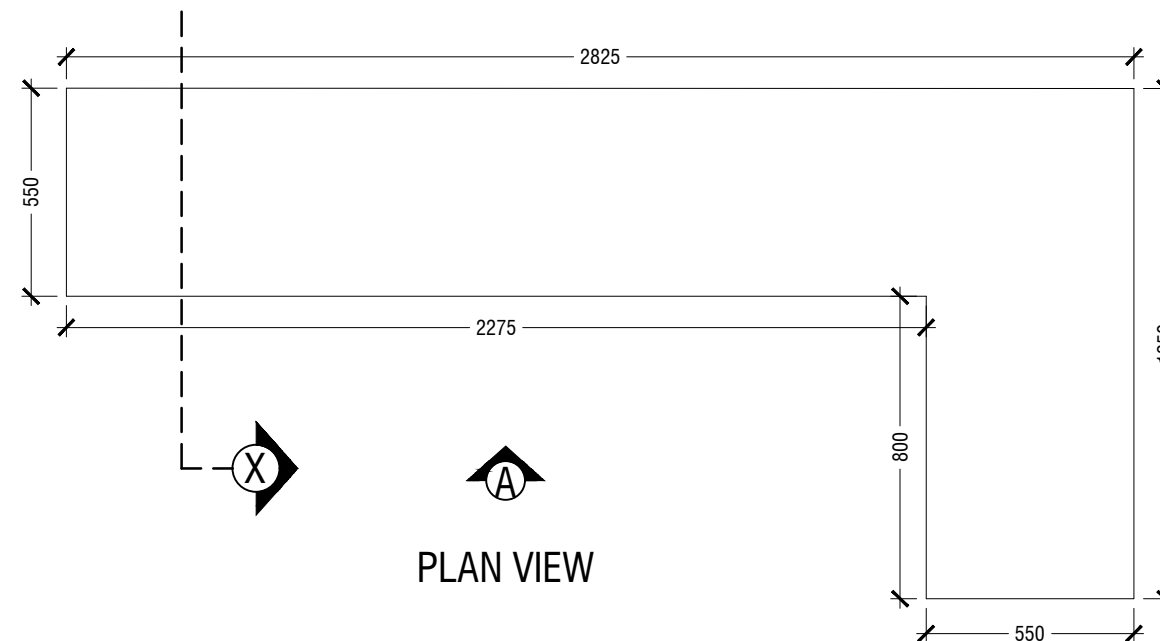
ID19

NOTE

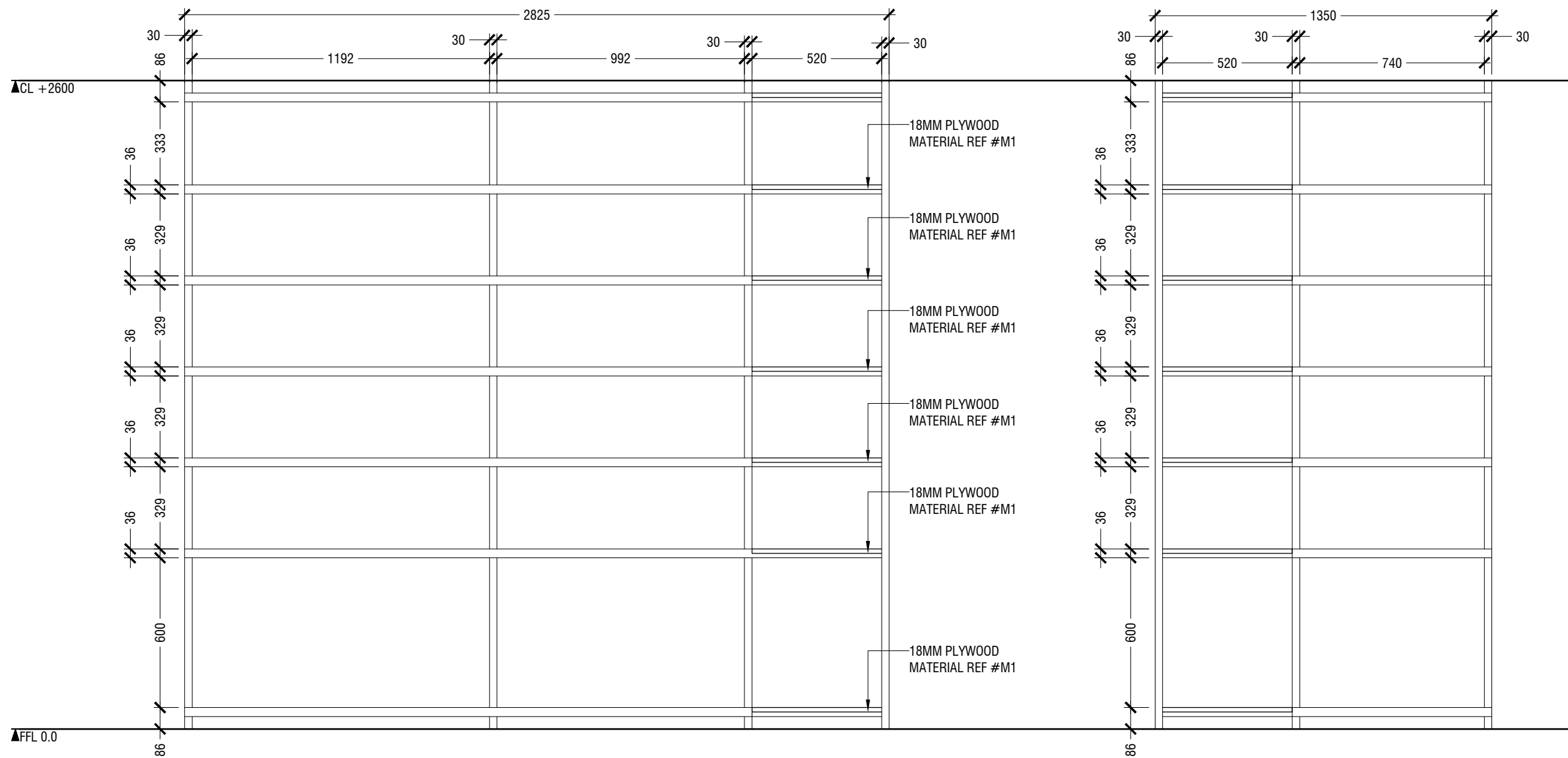
- CL = CEILING LINE
- DCL = DROP CEILING LINE
- FFL = FLOOR FINISH LINE

*FINAL DIMENSIONS ARE SUBJECT TO CHANGE DEPENDING ON CONTRACTORS ADJUSTMENTS ON SITE

*SLANTED WALL ALIGNMENT TO BE CONFIRMED ON SITE



PLAN VIEW



ELEVATION A

SECTION X

MACO
DESIGNS

Contact: 7989966, 7691671

Email: info@maco.mv

CLIENT:

IGMH

PROJECT:

IGMH
PHLEBOTOMY
AREA
K. MALE

INTERIOR DESIGNERS:

HASSAN

FATHIMA

ZUHA

MAHA

SCALE: AS GIVEN

DRWNG TITLE : AS GIVN

DATE: D25M02Y26

REVISION NO.: 00

FILE NAME:

\\DLINK-031BBD\Volume_1\MACO
PROJECTS\2026

WARNING:

- This drawing shall not be used for construction unless certified.
- Contractor to verify all dimensions of existing works on site before commencing any work or preparing shop drawings.
- Do not scale drawings, use written dimensions only.
- This drawing is to be read in conjunction with the specifications and conditions of contract.
- This drawing and design is copyright and no portion may be reproduced without the permission of the MACO architects

1.18 WALL MOUNTED SHELVES
LOCATION "STORAGE ROOM"
SCALE 1:20

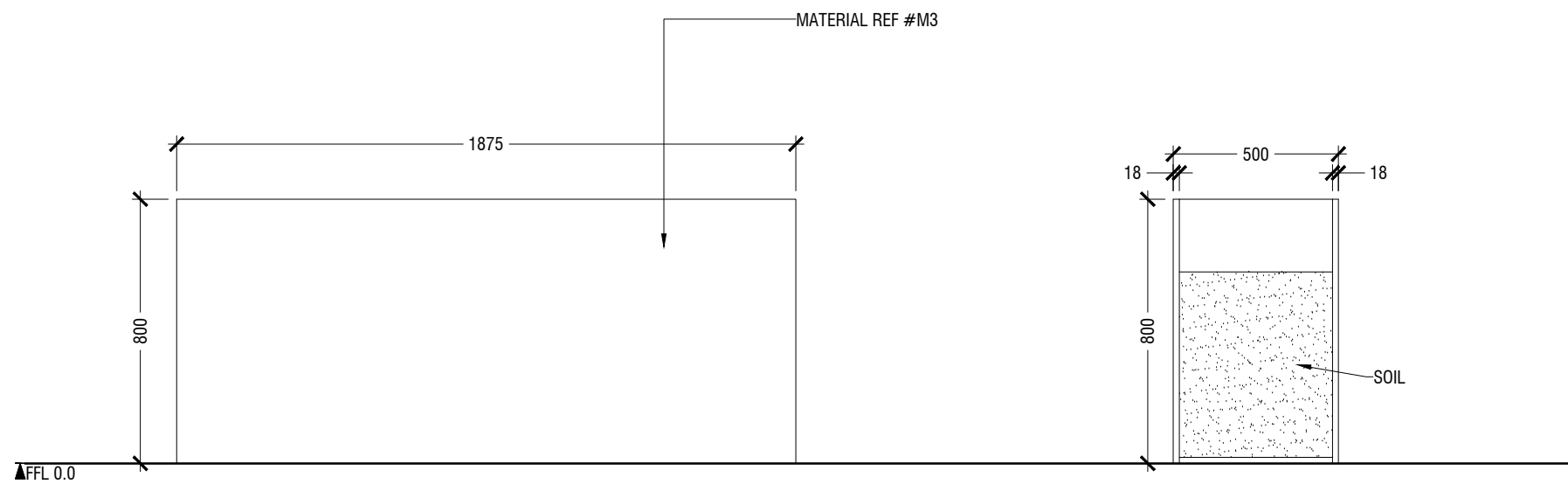
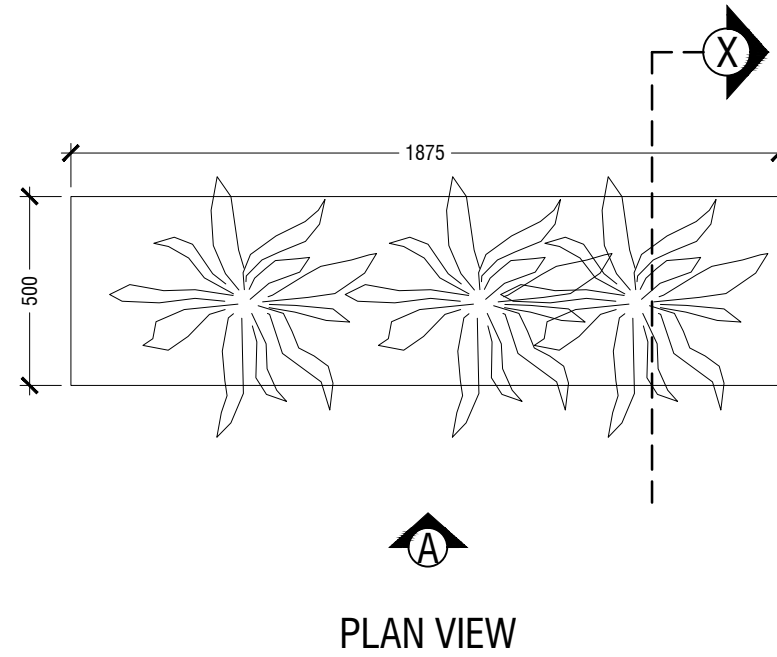
ID20

NOTE

- CL = CEILING LINE
- DCL = DROP CEILING LINE
- FFL = FLOOR FINISH LINE

*FINAL DIMENSIONS ARE SUBJECT TO CHANGE DEPENDING ON CONTRACTORS ADJUSTMENTS ON SITE

*SLANTED WALL ALIGNMENT TO BE CONFIRMED ON SITE



MACO

DESIGNS

Contact: 7989966, 7691671

Email: info@maco.mv

CLIENT:

IGMH

PROJECT:

**IGMH
PHLEBOTOMY
AREA
K. MALE**

INTERIOR DESIGNERS:

HASSAN

FATHIMA

ZUHA

MAHA

SCALE: AS GIVEN

DRWNG TITLE : AS GIVN

DATE: D25M02Y26

REVISION NO.: 00

FILE NAME:

\\DLINK-031BBD\Volume_1\MACO
PROJECTS\2026

WARNING:

- This drawing shall not be used for construction unless certified.
- Contractor to verify all dimensions of existing works on site before commencing any work or preparing shop drawings.
- Do not scale drawings, use written dimensions only.
- This drawing is to be read in conjunction with the specifications and conditions of contract.
- This drawing and design is copyright and no portion may be reproduced without the permission of the MACO architects

1.19 **PLANTER BOX**
LOCATION "RAMP AREA"
SCALE 1:20

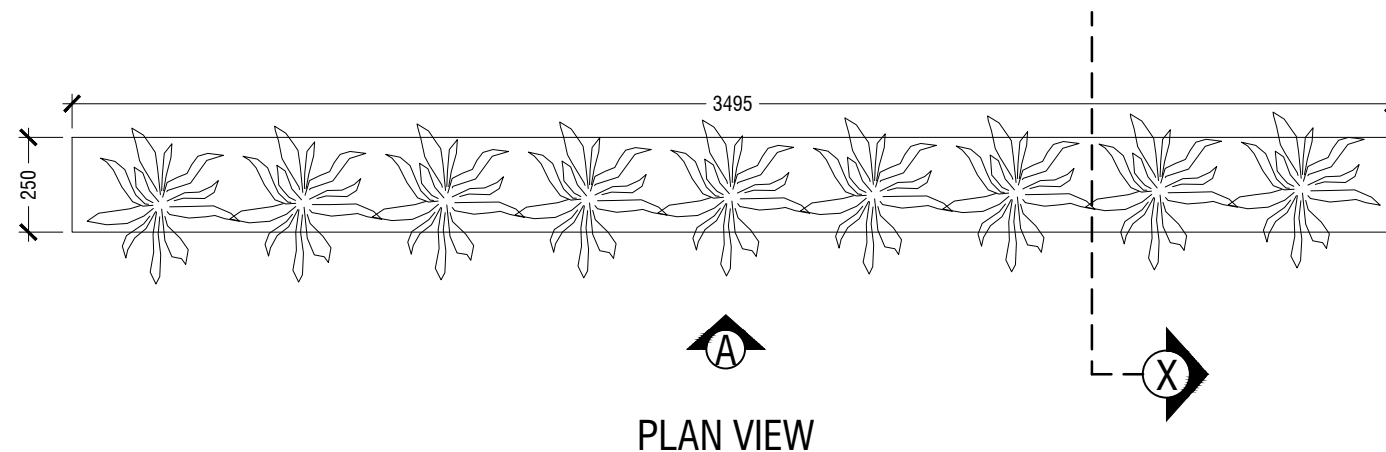
ID 21

NOTE

- CL = CEILING LINE
- DCL = DROP CEILING LINE
- FFL = FLOOR FINISH LINE

*FINAL DIMENSIONS ARE SUBJECT TO CHANGE DEPENDING ON CONTRACTORS ADJUSTMENTS ON SITE

*SLANTED WALL ALIGNMENT TO BE CONFIRMED ON SITE



PLAN VIEW

MACO

DESIGNS

Contact: 7989966, 7691671

Email: info@maco.mv

CLIENT:

IGMH

PROJECT:

**IGMH
PHLEBOTOMY
AREA
K. MALE**

INTERIOR DESIGNERS:

HASSAN

FATHIMA

ZUHA

MAHA

SCALE: AS GIVEN

DRWNG TITLE : AS GIVN

DATE: D25M02Y26

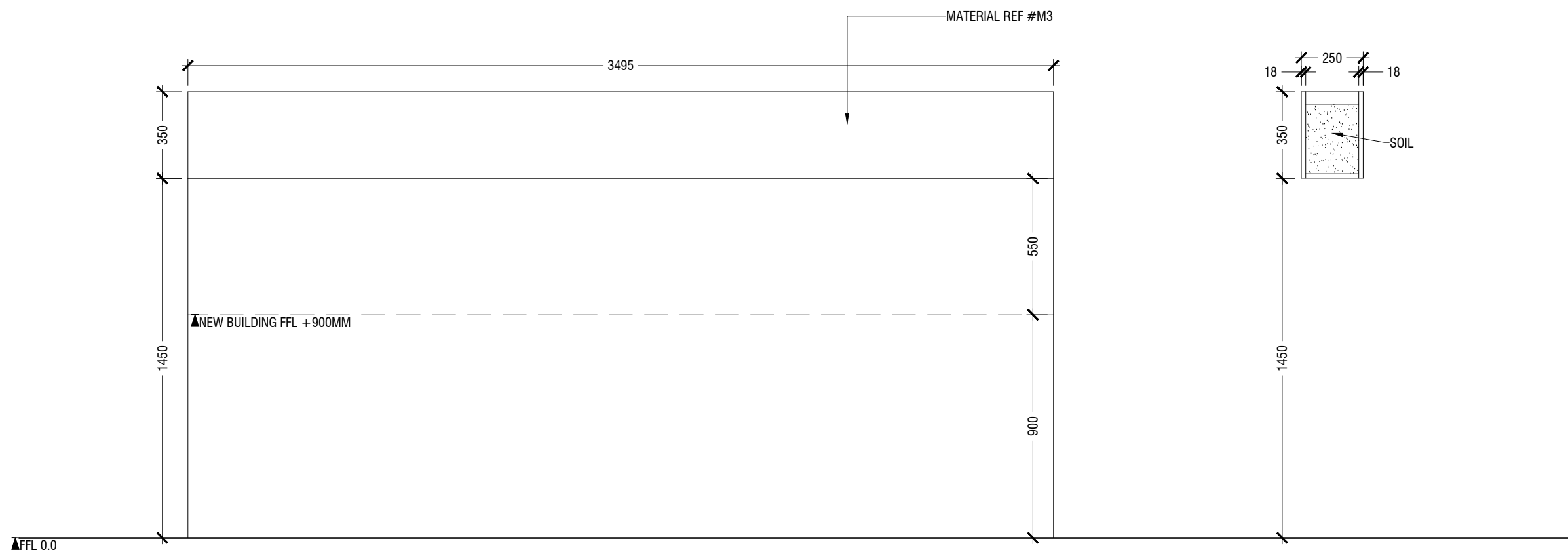
REVISION NO.: 00

FILE NAME:

\\DLINK-031BBD\Volume_1\MACO PROJECTS\2026

WARNING:

- This drawing shall not be used for construction unless certified.
- Contractor to verify all dimensions of existing works on site before commencing any work or preparing shop drawings.
- Do not scale drawings, use written dimensions only.
- This drawing is to be read in conjunction with the specifications and conditions of contract.
- This drawing and design is copyright and no portion may be reproduced without the permission of the MACO architects

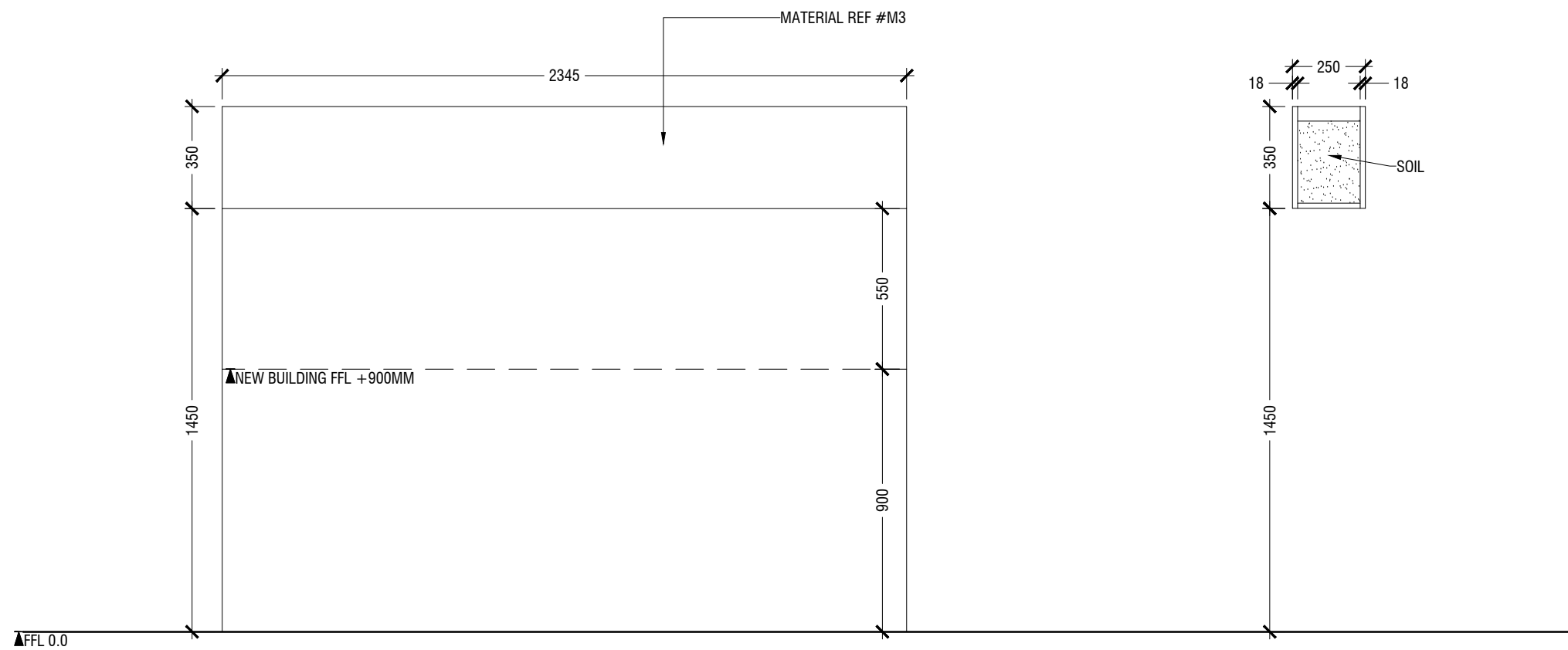
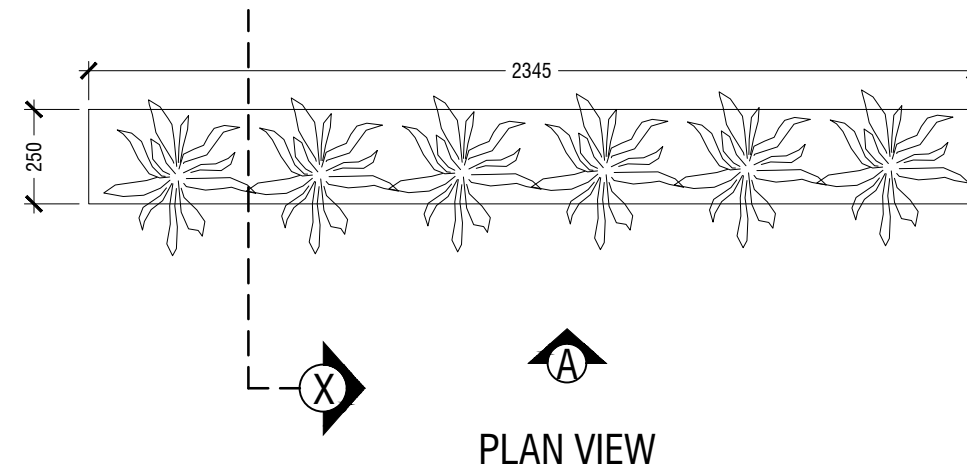


1.20 PLANTER BOX 1
LOCATION "OPEN VOID"
SCALE 1:20

ID22

NOTE

- CL = CEILING LINE
- DCL = DROP CEILING LINE
- FFL = FLOOR FINISH LINE



*FINAL DIMENSIONS ARE SUBJECT TO CHANGE DEPENDING ON CONTRACTORS ADJUSTMENTS ON SITE

*SLANTED WALL ALIGNMENT TO BE CONFIRMED ON SITE

MACO

DESIGNS

Contact: 7989966, 7691671

Email: info@maco.mv

CLIENT:

IGMH

PROJECT:

**IGMH
PHLEBOTOMY
AREA
K. MALE**

INTERIOR DESIGNERS:

HASSAN

FATHIMA

ZUHA

MAHA

SCALE: AS GIVEN

DRWNG TITLE : AS GIVN

DATE: D25M02Y26

REVISION NO.: 00

FILE NAME:

\\DLINK-031BBD\Volume_1\MACO
PROJECTS\2026

WARNING:

- This drawing shall not be used for construction unless certified.
- Contractor to verify all dimensions of existing works on site before commencing any work or preparing shop drawings.
- Do not scale drawings, use written dimensions only.
- This drawing is to be read in conjunction with the specifications and conditions of contract.
- This drawing and design is copyright and no portion may be reproduced without the permission of the MACO architects

1.21 **PLANTER BOX 2**
LOCATION "OPEN VOID"
SCALE 1:20

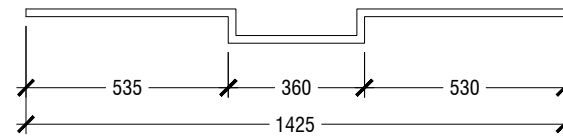
ID23

NOTE

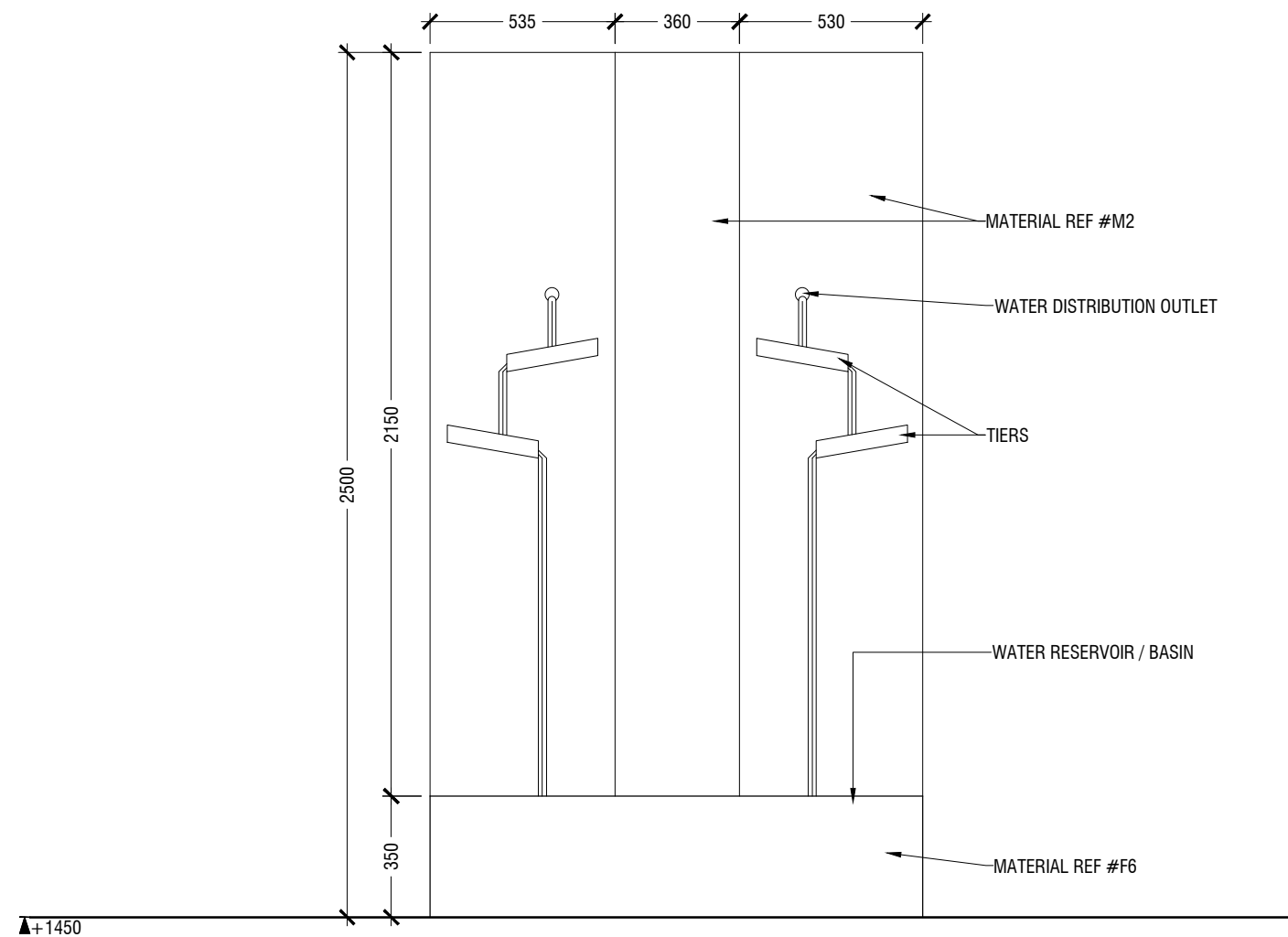
- CL = CEILING LINE
- DCL = DROP CEILING LINE
- FFL = FLOOR FINISH LINE

*FINAL DIMENSIONS ARE SUBJECT TO CHANGE DEPENDING ON CONTRACTORS ADJUSTMENTS ON SITE

*SLANTED WALL ALIGNMENT TO BE CONFIRMED ON SITE



PLAN VIEW



MACO

D E S I G N S

Contact: 7989966, 7691671

Email: info@maco.mv

CLIENT:

IGMH

PROJECT:

**IGMH
PHLEBOTOMY
AREA
K. MALE**

INTERIOR DESIGNERS:

HASSAN

FATHIMA

ZUHA

MAHA

SCALE: AS GIVEN

DRWNG TITLE : AS GIVN

DATE: D25M02Y26

REVISION NO.: 00

FILE NAME:

\\DLINK-031BBD\Volume_1\MACO
PROJECTS\2026

WARNING:

- This drawing shall not be used for construction unless certified.
- Contractor to verify all dimensions of existing works on site before commencing any work or preparing shop drawings.
- Do not scale drawings, use written dimensions only.
- This drawing is to be read in conjunction with the specifications and conditions of contract.
- This drawing and design is copyright and no portion may be reproduced without the permission of the MACO architects

1.22 WATER FOUNTAIN
LOCATION "OPEN VOID"
SCALE 1:20

ID24

NOTE

- CL = CEILING LINE
- DCL = DROP CEILING LINE
- FFL = FLOOR FINISH LINE
- RFL = RAISED FLOOR LINE
- SFL = SUNKEN FLOOR LINE
- BL = BEAM LEVEL

*FINAL DIMENSIONS ARE SUBJECT TO CHANGE
 DEPENDING ON CONTRACTORS ADJUSTMENTS ON SITE
 *PANEL GROOVE PATTERNS ARE SUBJECT TO LENGTH
 OF WALL - REFER TO 3D

MACO

DESIGNS

Contact: 7989966, 7691671

Email: info@maco.mv

CLIENT:

IGMH

PROJECT:

IGMH
 PHLEBOTOMY
 AREA
 K. MALE

INTERIOR DESIGNERS:

HASSAN

FATHIMA

ZUHA

MAHA

SCALE: AS GIVEN

DRWNG TITLE : AS GIVN

DATE: D25M02Y26

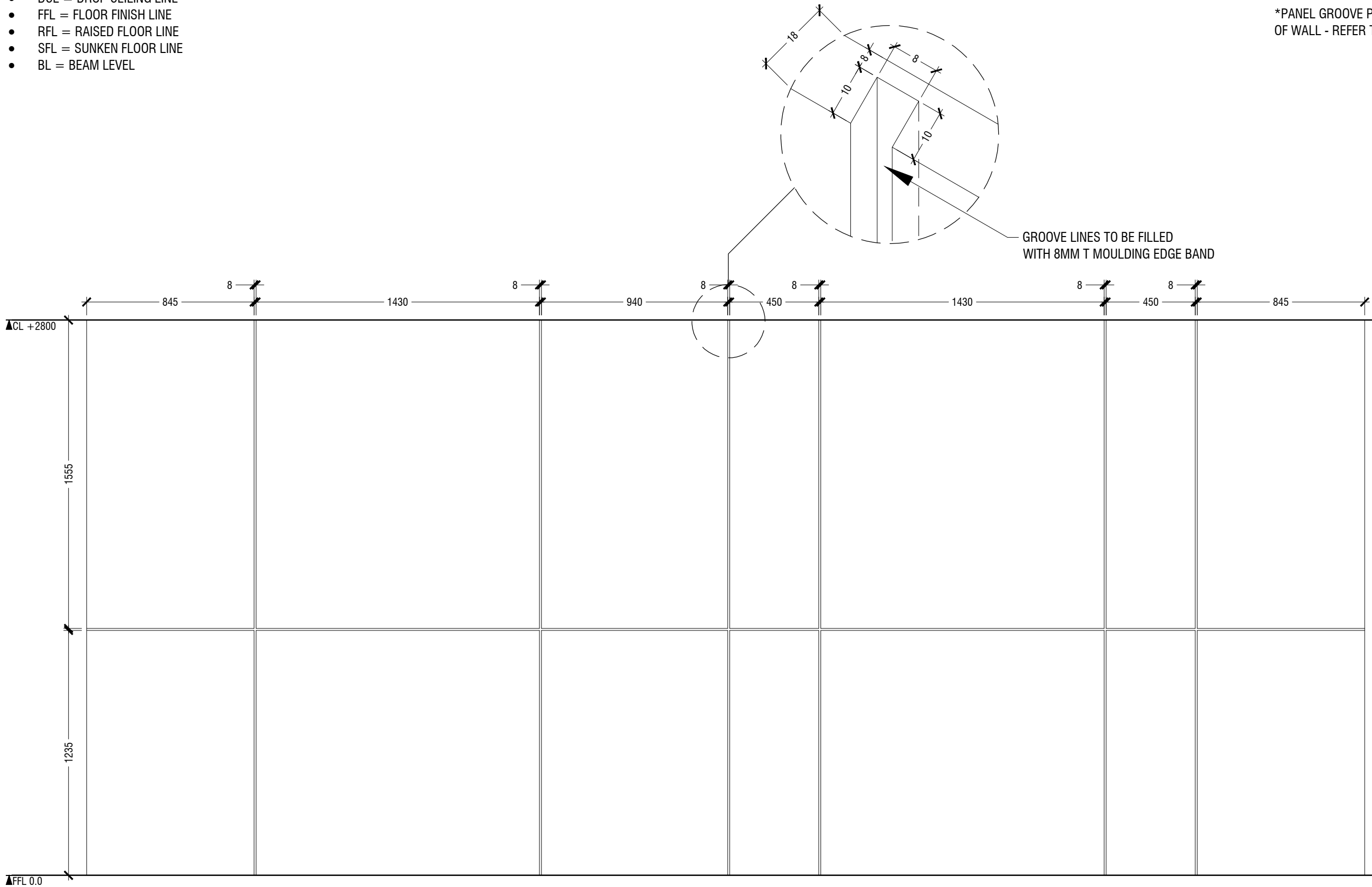
REVISION NO.: 00

FILE NAME:

\\DLINK-031BBD\Volume_1\MACO
 PROJECTS\2026

WARNING:

- This drawing shall not be used for construction unless certified.
- Contractor to verify all dimensions of existing works on site before commencing any work or preparing shop drawings.
- Do not scale drawings, use written dimensions only.
- This drawing is to be read in conjunction with the specifications and conditions of contract.
- This drawing and design is copyright and no portion may be reproduced without the permission of the MACO architects



2.01 WALL PANEL TYPE 2
 LIGHT BEIGE (SEMI GLOSS), SAGE GREEN (SEMI GLOSS)
 SCALE 1:20

ID25

NOTE

- CL = CEILING LINE
- DCL = DROP CEILING LINE
- FFL = FLOOR FINISH LINE
- RFL = RAISED FLOOR LINE
- SFL = SUNKEN FLOOR LINE
- BL = BEAM LEVEL

*FINAL DIMENSIONS ARE SUBJECT TO CHANGE
 DEPENDING ON CONTRACTORS ADJUSTMENTS ON SITE
 *PANEL GROOVE PATTERNS ARE SUBJECT TO LENGTH
 OF WALL - REFER TO 3D

MACO

DESIGNS

Contact: 7989966, 7691671

Email: info@maco.mv

CLIENT:

IGMH

PROJECT:

**IGMH
 PHLEBOTOMY
 AREA
 K. MALE**

INTERIOR DESIGNERS:

HASSAN

FATHIMA

ZUHA

MAHA

SCALE: AS GIVEN

DRWNG TITLE : AS GIVN

DATE: D25M02Y26

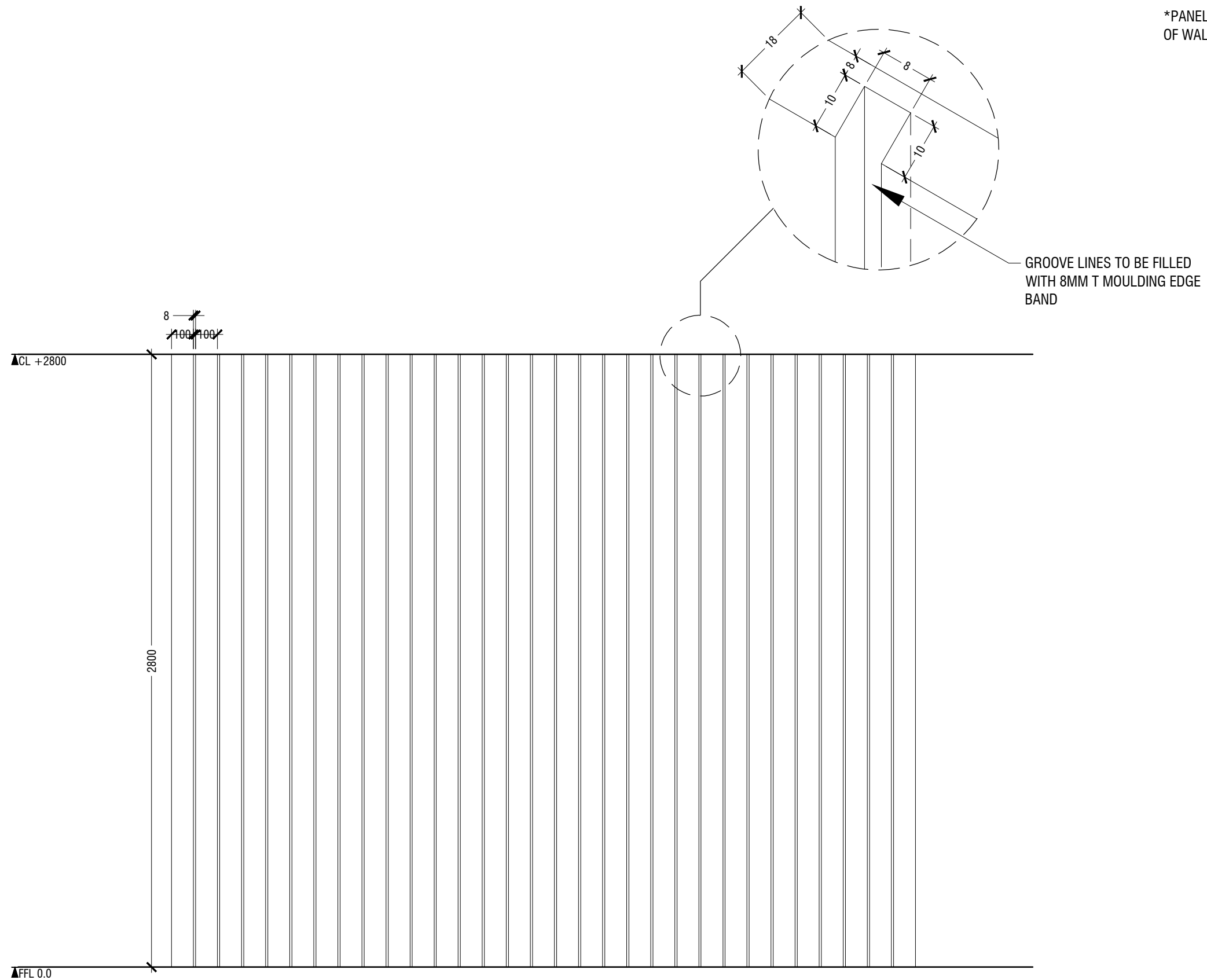
REVISION NO.: 00

FILE NAME:

\\DLINK-031BBD\Volume_1\MACO
 PROJECTS\2026

WARNING:

- This drawing shall not be used for construction unless certified.
- Contractor to verify all dimensions of existing works on site before commencing any work or preparing shop drawings.
- Do not scale drawings, use written dimensions only.
- This drawing is to be read in conjunction with the specifications and conditions of contract.
- This drawing and design is copyright and no portion may be reproduced without the permission of the MACO architects



2.02 WALL PANEL TYPE 3
 MEDIUM WOOD TONE (MATTE)
 SCALE 1:20

ID26